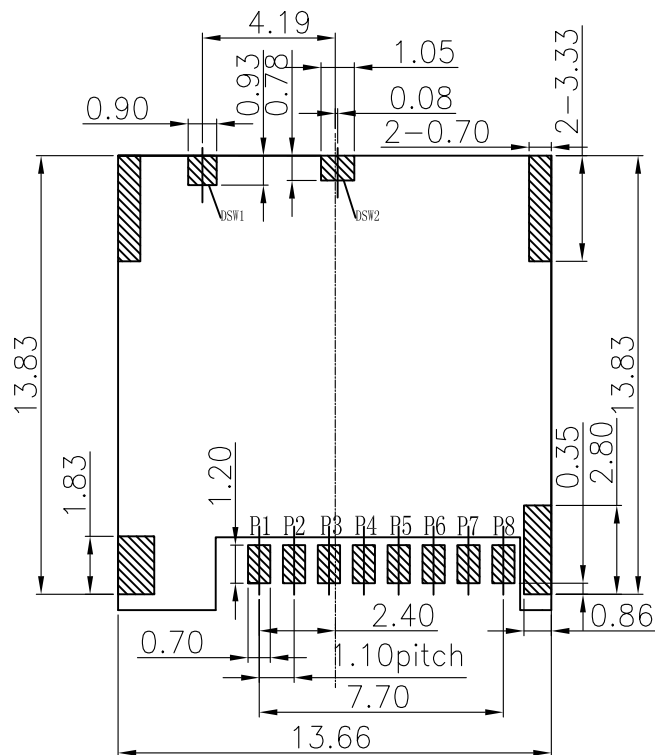
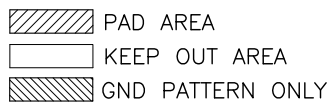


A	----	NEW RELEASE	Coco	2016.06.10
REVISION NO.	ECR NO.	DESCRIPTION	MARK	DATE
1		2	3	4

	深圳市鑫南天科技有限公司 Shenzhen XinNanTian Technology Co., Ltd			
	DIMENSIONS INIT: mm UNLESS OTHERWISE SPECIFIABLE	PRODUCT NAME : micro SD push push 1.28H	DRAWING: C0C0	DATE: 20160610
	DIMENSION TOLERANCE X.X: ± 0.25 X.XX: ± 0.15 X.XXX: ± 0.05 ANGULAR: ± 2'	PRODUCT NO. : XNT-TF128-T5251-01	CHECK: JENNY	DATE: 20160610
		DRAWING NO. : XNT-TF128-T5251-01	APPROVED: JEFF	DATE: 20160610
		SCALE: 1:1 DWG ID: C D	REV.: A	PAGE: 1 OF 2



RECOMMEND P.C.B LAYOUT
(General tolerance ± 0.05)



PIN NO.	PIN ASSIGNMENT
P1	DAT2
P2	CD/DAT3
P3	CMD
P4	VDD
P5	CLK
P6	VSS
P7	DAT0
P8	DAT1

Specification

1.MATERIAL:

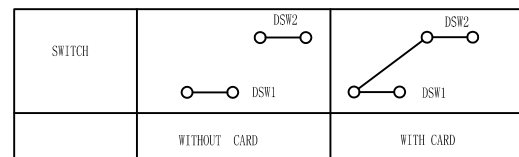
- 1.1 Insulator: High Temperature Thermoplastic, LCP SZ6505 black 94V-0.
- 1.2 Contact: Beryllium copper(7035-TM06, T=0.15mm)
- 1.3 Shell: SUS301-3/4H T=0.10mm

2.Plating:

- 2.1 Contact: Plated 80u"min Ni Overall
Plated 1u"min Au Selective contact area
Selective 1u"min AU over Ni on solder area
- 2.2 Shell: Solder tail Plated 1u"min AU overll 50u"min Ni

3.Property:

- 3.1 Current Rating :0.5A AC/DC max.
- 3.2 Voltage Rating :12V AC/DC
- 3.3 Ambient Temperature Range : $-20^{\circ}\text{C}\sim+60^{\circ}\text{C}$
- 3.4 Ambient Humidity Range :95% R.H. Max.
- 3.5 Contact Resistance:100m Ω max.
- 3.6 Insulation Resistance:1000M Ω min./500VDC
- 3.7 Durability:5,000 cycles



XNT		深圳市鑫南天科技有限公司 Shenzhen XinNanTian Technology Co., Ltd					
DIMENSIONS INIT: mm UNLESS OTHERWISE SPECIFIABLE DIMENSION TOLERANCE X.X: ± 0.25 X.XX: ± 0.15 X.XXX: ± 0.05 ANGULAR: $\pm 2'$	PRODUCT NAME :	micro SD push push 1.28H	DRAWING:	C0C0	DATE:	20160610	
	PRODUCT NO. :	XNT-TF128-T5251-01	CHECK:	JENNY	DATE:	20160610	
	DRAWING NO. :	XNT-TF128-T5251-01	APPROVED:	JEFF	DATE:	20160610	
	SCALE:	1:1	DWG ID:	C D	REV.:	A	PAGE:

REVISION NO.	ECR NO.	DESCRIPTION	MARK	DATE
1	----	NEW RELEASE	Coco	2016.06.10