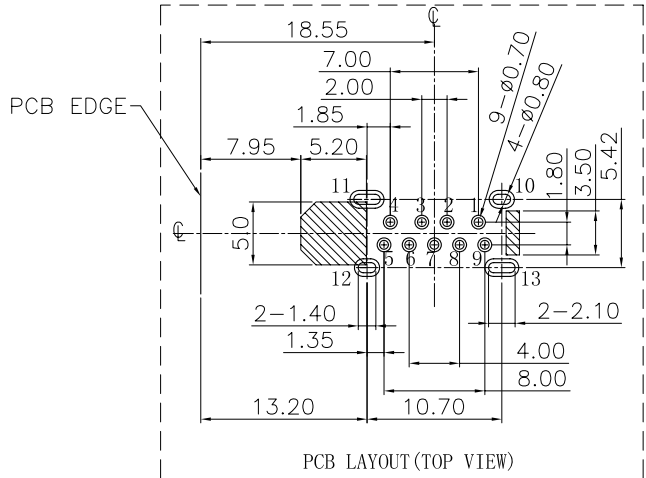
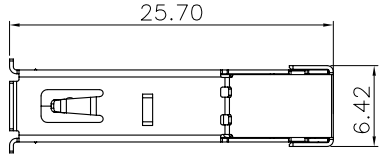
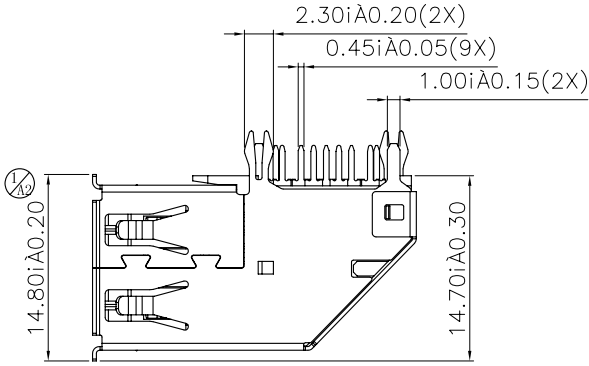


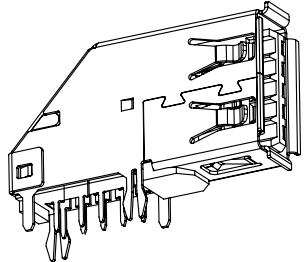
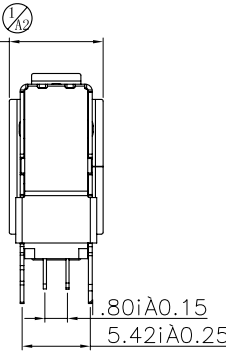
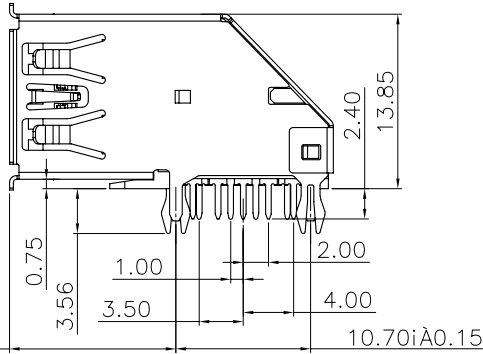
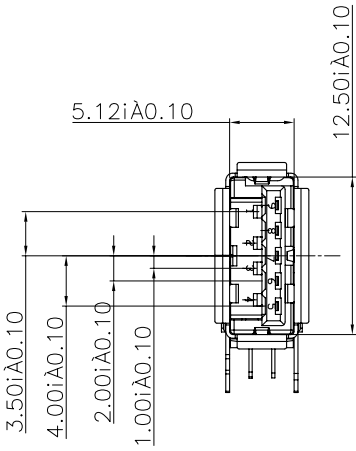
REV.	ECN NO.	DESCRIPTION	DRAW	CHECK	APPD.	DATE
A2	ECN140901001	变更翻边尺寸	bendee	—	—	14-09-01
A3	ECN150406003	增加规格	Amanda	—	—	15-04-06
A4	ECN150801001	增加PBT黑色规格	Elaine			15-08-01



SPECIFICATIONS:
 Contact current Rating:
 1.8 Amperes for pin1&pin4.
 0.25 Amperes other contacts
 Dielectric Withstanding Voltage:AC 100V(RMS)
 Insulation resistance:100Megohms Minimum.
 Contact Resistance:
 30mΩ Max for pin1&pin4
 50mΩMax for other contacts
Mechanical Characteristics:
 Mating Force:35 Newtons.Maximum
 Unmating Force:10 Newtons.Mlimum.
 8N Min After Durability

MATERIAL:
 Housing: See table
 Contact: copper alloy(T=0.25mm)
 Shell: SUS

PLATING:
 Contact: Au Plated on contact area
 Tin Plated on solder area
 Nickel underplating over all
 Shell: Nickel Plated
 operating Temperature:-55iäto+85iä



料号备注
CU 3 F 001 D XX T XX XX

12=半金雾锡1U"
 00=PBT蓝
 01=LCP蓝
 02=PA9T蓝
 R=ROHS2.0标准
 W=无卤+ROHS2.0
 I=REACH标准
 B=盐雾24H
 C=盐雾48H



深圳市鑫南天科技有限公司

Pin Number	Signal Name	Pin Number	Signal Name
1	VBUS	5	SSRX-
2	D-	6	SSRX+
3	D+	7	GND
4	GND	8	SSTX-
Shell	Shield	9	SSTX+

UNLESS OTHERWISE SPECIFIED TOLERANCES		APPROVAL	日期	品名规格
X. +/-	METRIC 0.35	制图 WEI	2011.07.25	USB 3.0 AF SIDE
.X +/-	0.35	审核 xudongbin	2011.07.25	
.XX +/-	0.25	核准 xudongbin	2011.07.25	
FRACTIONS +/-		文件位置		料号 SEE TABLE
ANGLES +/-	2.00'	ANGLE OF PROJECTION		字张 工程图号: XNT-DWG-USBAF-006 版本: A4
(METRIC)	(MM)			北例 1 : 1 状态码 A 页数 1 OF 1