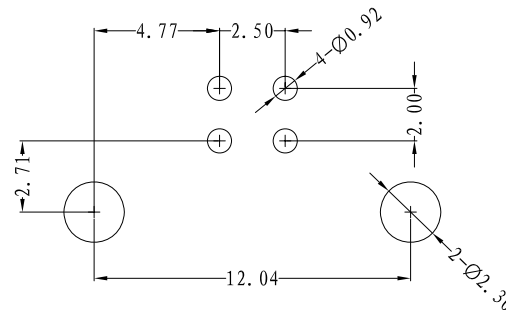
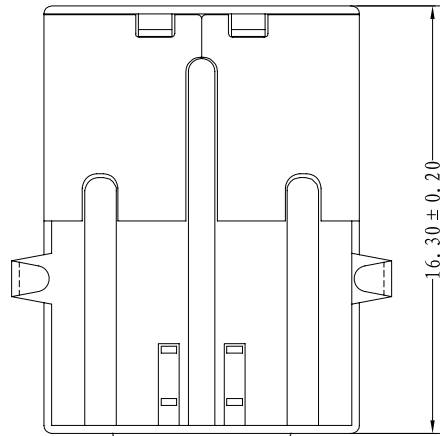


NOTE:

- 1.Storage Condition:
 - 1.1 Temperature:15 ~ 25°C;
 - 1.2 Humidity :30~60%
 - 1.3 Operation temperature: -30~+80°C
- 2.Electrical Characteristics:
 - 2.1 Contact resistance: 30mΩ Max.
 - 2.2 Insulation Resistance: 1000Mega ohms min
 - 2.3 Dielectric withstanding voltageL500V AC.
3. Material:
 - 3.1 Housing: thermoplastic , white
 - 3.2 ContactL copper alloy
 - 3.3 Shell: sus403
4. Plating:
 - 4.1 Contact: selective gold on mating area
 - 4.2 Shell: nickel plating



深圳市鑫南天科技有限公司

Shen Zhen Xin Nan Tian Technology Co., Ltd

DIMENSIONS INIT: mm
 UNLESS OTHERWISE SPECIFIABLE
 DIMENSION TOLERANCE
 X.X: ± 0.25
 X.XX: ± 0.20
 X.XXX: ± 0.10
 ANGULAR: ± 1°

PRODUCT NAME : USB B F DIP connector	DRAWING: COCO	DATE: 2013/09/01
PRODUCT NO. : XNT-USBBF-111145	CHECK: JANY	DATE: 2013/09/01
DRAWING NO. : XNT-1018	APPROVED: JEFF	DATE: 2013/09/01
SCALE: 1:1	DWG ID: P D	REV.: A
		PAGE: 1 of 1

REVISION NO.	ECR NO.	DESCRIPTION	MARK	DATE
1		2	3	4