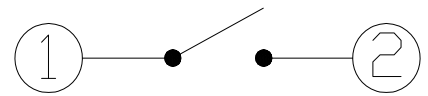
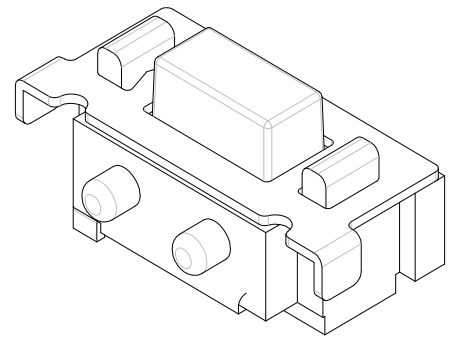
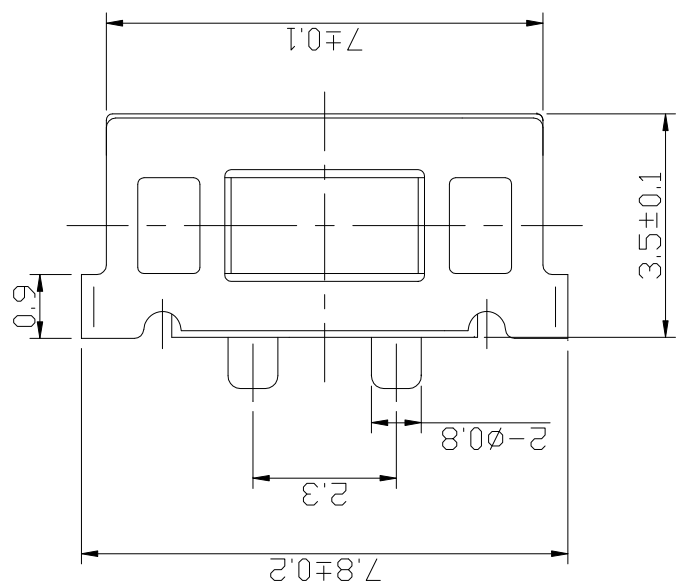
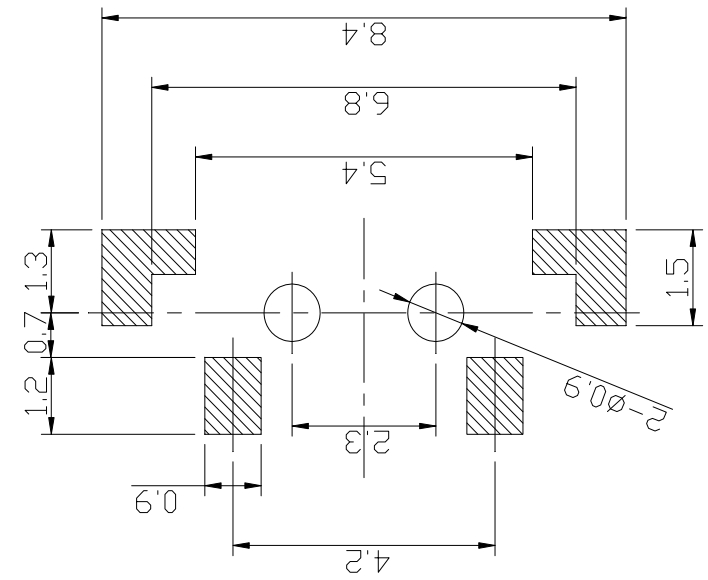


RevNo	Revision note	Date	Signature



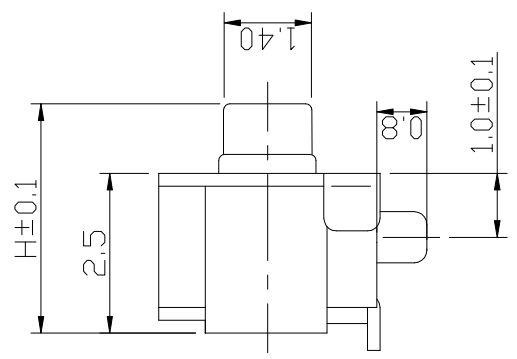
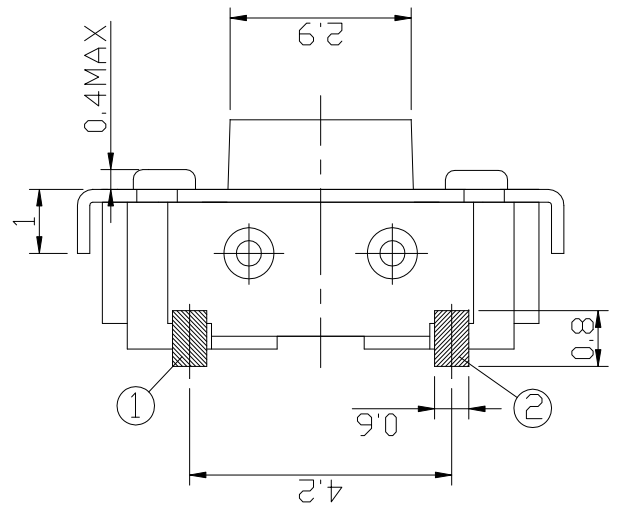
CIRCUIT DIAGRAM



P.C.B LAND DIMENSION

NOTE

1. RATING : DC 12V 50mA
2. CONTACT RESISTANCE : 100mΩ MAX
3. GENERAL TOLERANCE : ± 0.2
4. MANUFACTURING SPECIFICATION WOULD BE ACCORDANCE WITH WT0158



REFERENCE DRAWING

THBM02-LAJ		3.5 mm	BLACK	Lcp White	160± 30gf	30,000 Cycles
MODEL NO.	CODE NO.	"H"	STEM COLOR	CASE COLOR	O/FORCE	LIFE

Designed by	深圳市鑫南天科技有限公司	
Checked by	Unit	Scale
Approved by	mm	1/1
Item	Tactile Switch	Date
Model	NEW 3X6 Pilot of φ 0.8	Sheet
		1/1
	Drawing name	Rev.
	TS-022-250	0