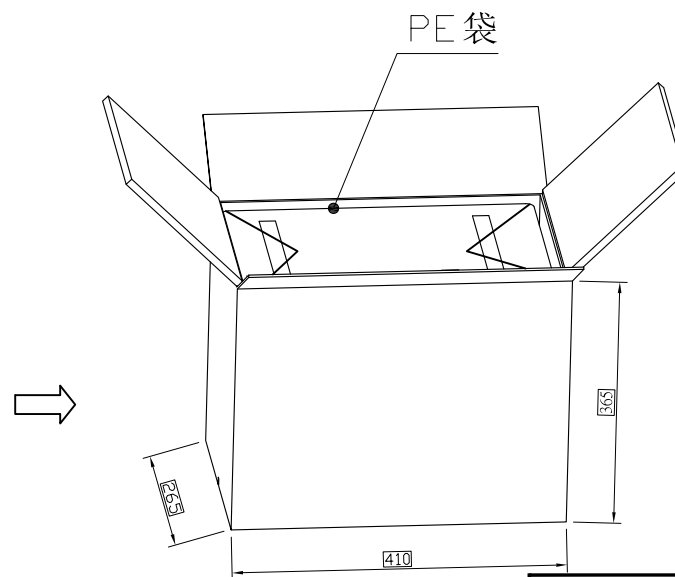
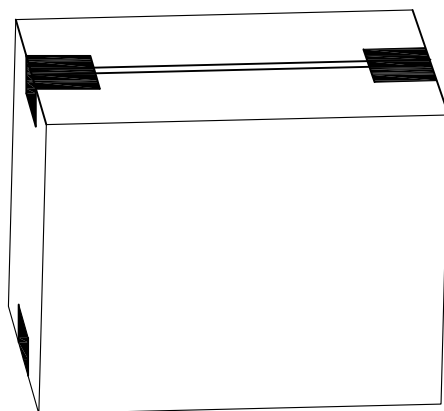
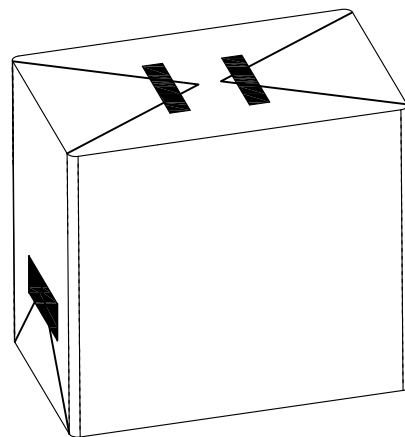
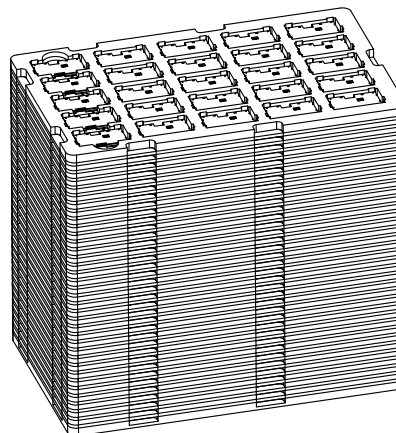
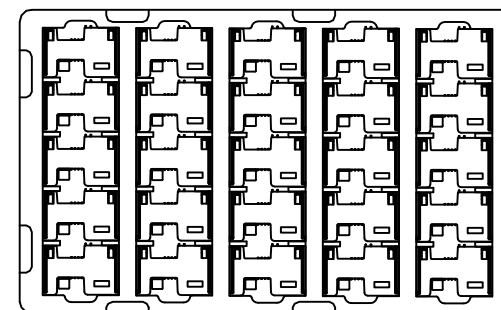
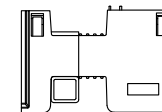


* ROHS COMPLIANT



PART NO.	XNT-SC-806-08560
PCS/TRAY	25
TRAY/CARTON	36+1空盘
TOTAL (PCS)	900
CTN SIZE	410X265X365 (MM)
TRAY MATERIAL	PS, WHITE
N.W	4.92kg
G.W	7.52kg



深圳市鑫南天科技有限公司
Shenzhen XinNanTian Technology Co., Ltd

DIMENSIONS INIT: mm
UNLESS OTHERWISE SPECIFIABLE

DIMENSION	TOLERANCE
X.X: ±	0.38
X.XX: ±	0.25
X.XXX: ±	0.10
ANGULAR: ±	1°

PRODUCT NAME : Smart card connector	DRAWING: COCO	DATE: 2014/01/15
PRODUCT NO. : XNT-SC-806-08560	CHECK: AG	DATE: 2014/01/15
DRAWING NO. : XNT-SC-806-08560	APPROVED: JEFF	DATE: 2014/01/15
SCALE: NA	DWG ID: P D	REV.: A
		PAGE: 2 OF 2

REVISION NO.	ECR NO.	DESCRIPTION	MARK	DATE
1				
2				
3				

A

B

C

D

E

F