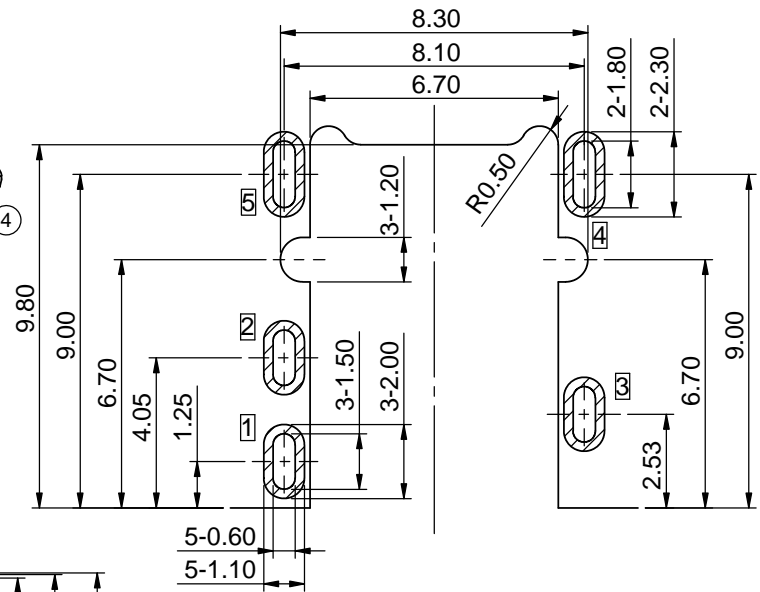
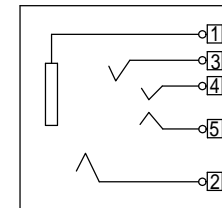


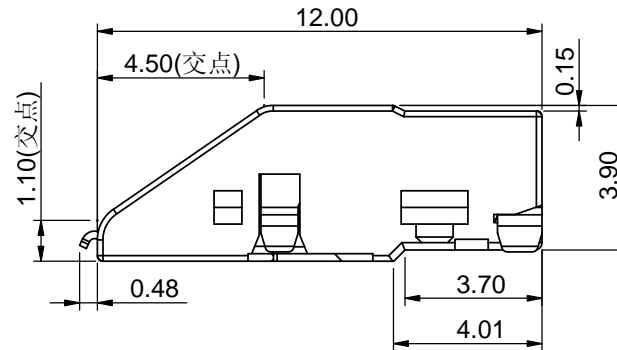
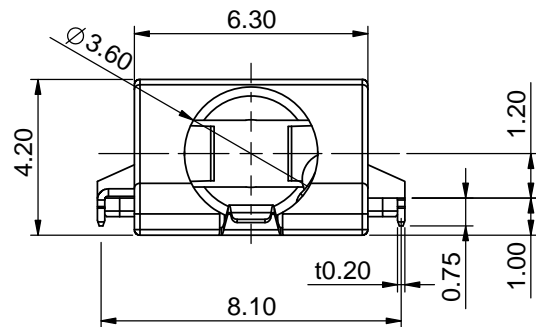
Ø3.50mm 4 POLE PLUG
DETAIL DRAWING(2:1)



RECOMMENDED PCB LAYOUT(TOP VIEW)
(GENERAL TOLERANCE ±0.05)



SCHEMATIC



5	HOUSING	HIGH TEMP	BLACK	
4	TERMINAL 4	COPPER ALLOY		Au PLATED
3	TERMINAL 3	COPPER ALLOY		Au PLATED
2	TERMINAL 2	COPPER ALLOY		Au PLATED
1	TERMINAL 1	COPPER ALLOY		Au PLATED
NO.	DESCRIPTION	MAT,L	COLOR	REMARK

CUSTOMER COPY
深圳市鑫南天科技有限公司
 Shenzhen XinNanTian Industrial Co.,Ltd

TITLE: Ø3.50mm PHONE JACK CONN.

PART NO. XNT-R05GA-7ZL2

PRODUCT SPEC. XNT-RJZ-0001872

FILE NAME. XNT-R05GA-7ZL2-C

SCALE 5:1 UNIT:mm A4 SHEET: 1 of 2

						Angle	±2°	DESIGN	COCO	01/15/'13
	B	01/15/'13	B1:变更结构	彭志况	罗志兵	X	±0.35	CHECK	LAIF	01/15/'13
	A	07/31/'12	NEW			.X	±0.25	APPRO.	JEFF	01/15/'13
ECN NO.	REV	DATE	DESCRIPTION	CHANGE	APPRO.	GENERAL TOLERANCE UNLESS OTHERWISE NOTED				