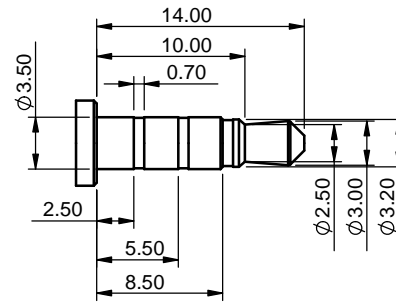
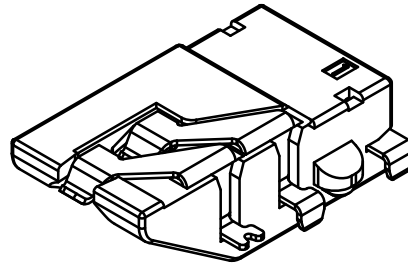
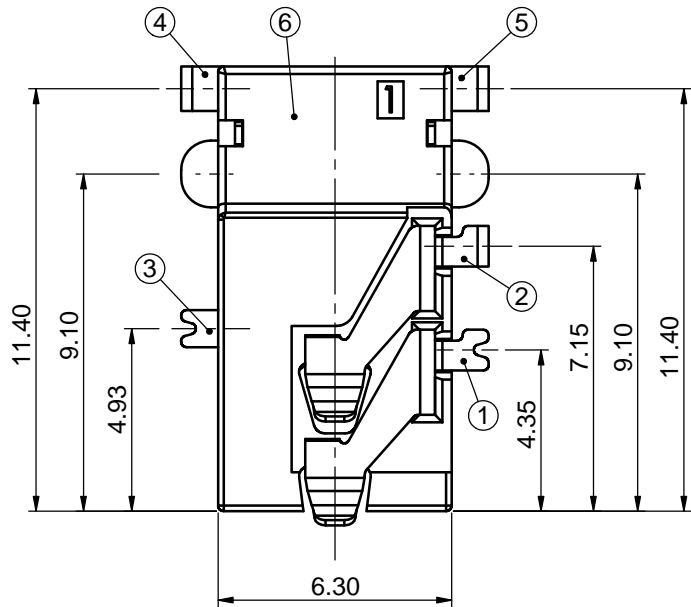
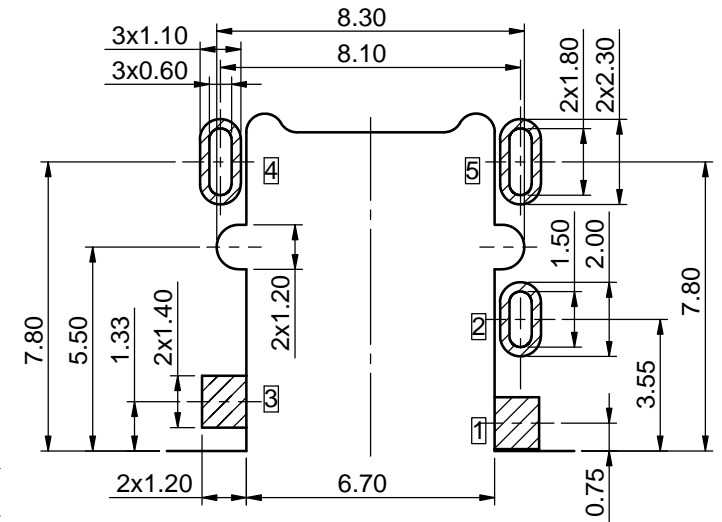


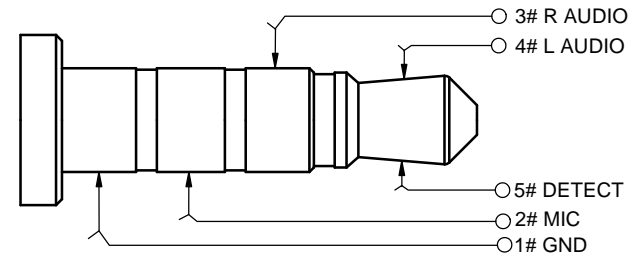
1 2 3 4 5 6 7 8 9 10 11 12 13 14 15 16 17



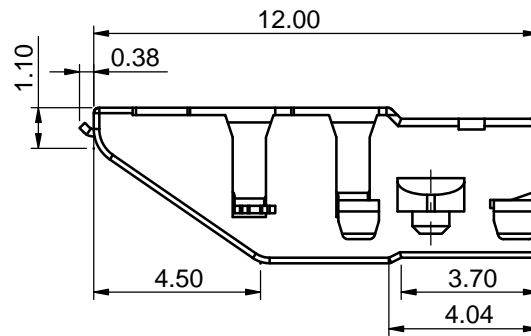
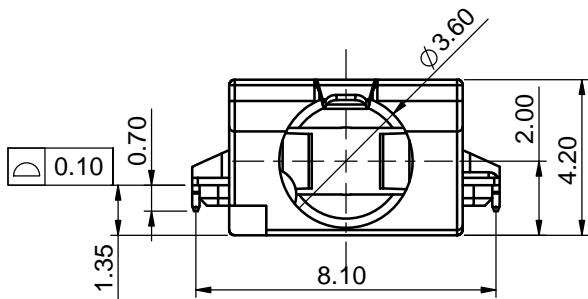
Ø3.50mm 4 POLE PLUG  
DETAIL DRAWING (2:1)



RECOMMENDED PCB LAYOUT (TOP VIEW)  
(GENERAL TOLERANCE ±0.05)



SCHEMATIC



6	HOUSING	HIGH TEMP	BLACK	
5	TERMINAL 5	COPPER ALLOY		Au PLATED
4	TERMINAL 4	COPPER ALLOY		Au PLATED
3	TERMINAL 3	COPPER ALLOY		Au PLATED
2	TERMINAL 2	COPPER ALLOY		Au PLATED
1	TERMINAL 1	COPPER ALLOY		Au PLATED
NO.	DESCRIPTION	MAT,L	COLOR	REMARK

CUSTOMER COPY 深圳市鑫南天科技有限公司

TITLE: Ø3.50mm PHONE JACK CONN.

PART NO. XNTT05GAGZL2

PRODUCT SPEC. XNT-RJZ-0001883

FILE NAME. XNTT05GAGZL2-C

SCALE 5:1 UNIT:mm A4 SHEET: 1 of 2

ECN NO.	REV	DATE	DESCRIPTION	CHANGE	APPRO.	GENERAL TOLERANCE UNLESS OTHERWISE NOTED	DESIGN	COCO	03/06/'13
	X2	03/06/'13	X2/1:			Angle ±2°	CHECK	JANY	03/06/'13
	X1	02/20/'13	NEW			X ±0.35	APPRO.	JEFF	03/06/'13
						.X ±0.25			
						.XX ±0.20			