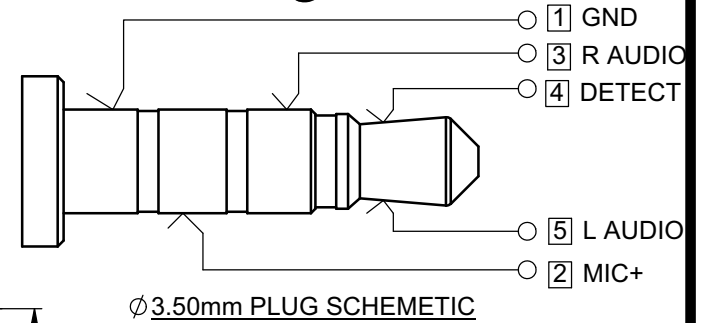
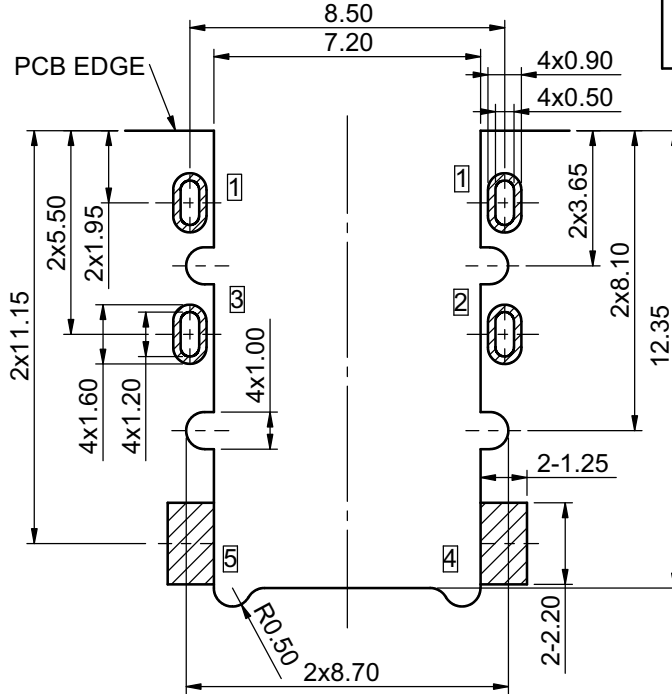
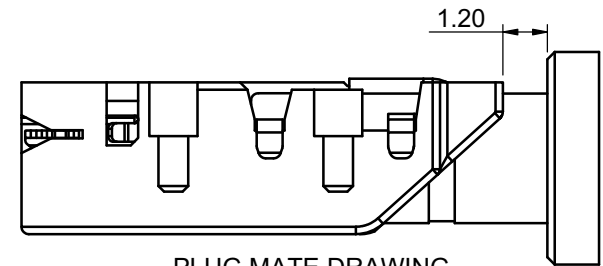


RECOMMEND PCB LAYOUT(TOP VIEW)
TOLERANCE: ±0.05



Ø3.50mm PLUG SCHEMATIC



PLUG MATE DRAWING

6	HOUSING	THERMOPLASTIC	BLACK	
5	TERMINAL 5	COPPYER ALLOY		GOLD PLATED
4	TERMINAL 4	COPPYER ALLOY		GOLD PLATED
3	TERMINAL 3	COPPYER ALLOY		GOLD PLATED
2	TERMINAL 2	COPPYER ALLOY		GOLD PLATED
1	TERMINAL 1	COPPYER ALLOY		GOLD PLATED
NO.	DESCRIPTION	MAT.L	COLOR	REMARK

CUSTOMER COPY
深圳市鑫南天科技有限公司
Shenzhen XinNanTian Industrial Co.,Ltd

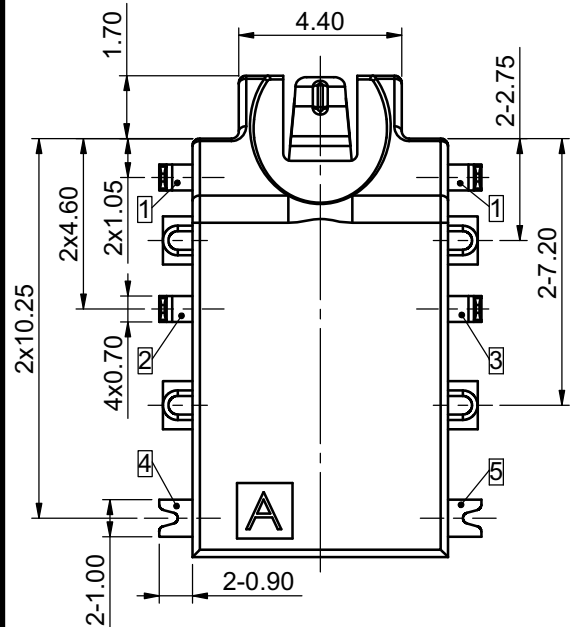
TITLE: Ø3.50mm PHONE JACK CONN
H=1.55mm

PART NO. XNTT05GACZL2

PRODUCT SPEC. XNT-RJZ-0001871

FILE NAME. XNTT05GACZL2-C

SCALE 5:1 UNIT:mm A4 SHEET: 1 of 2



Angle	±2°	DESIGN	JEFF	06/18/'13
X	±0.35	CHECK	JANY	06/18/'13
.X	±0.25	APPRO.	COCO	06/18/'13
.XX	±0.20			
ECN NO.	REV	DATE	DESCRIPTION	CHANGE APPRO.
	X1	06/18/'13	NEW	

GENERAL TOLERANCE
UNLESS OTHERWISE NOTED