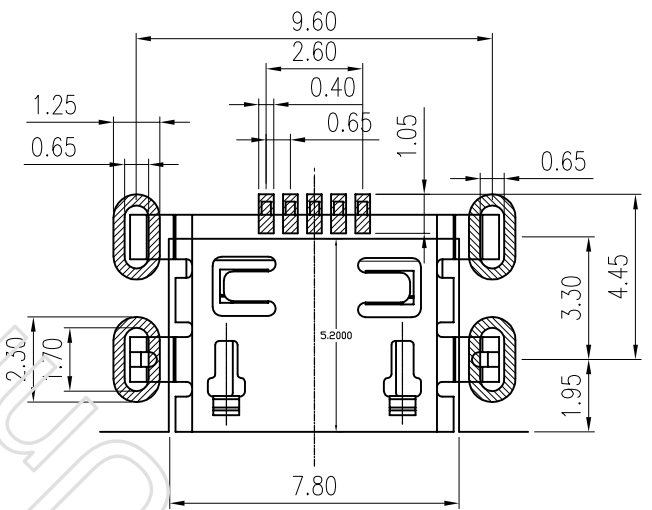
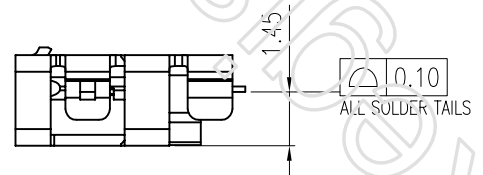
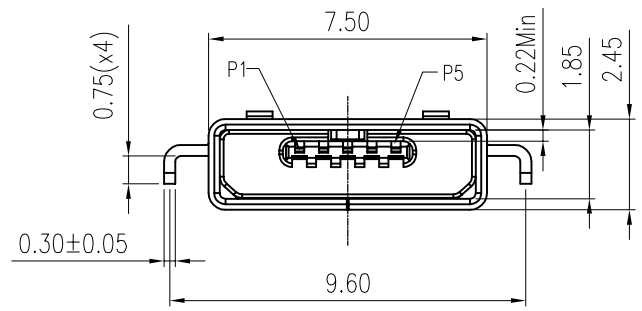
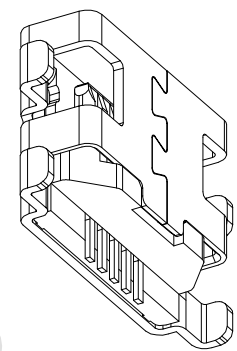
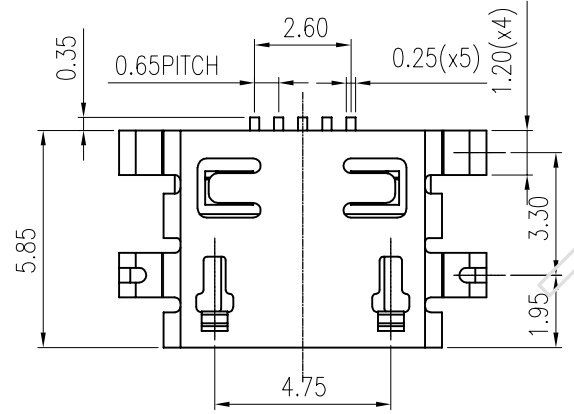


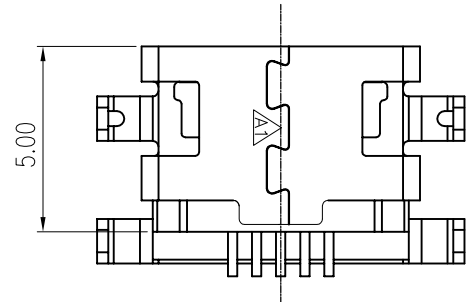
REV.	ECN NO.	DESCRIPTION	DRAW	APPD.	DATE
REV.	ECN	DESCRIPTION	DRAW	APPD	DATE
A1	---	依实物变更图面	ZXM	DengMingXin	2013.10.28

NOTES:

1. MATERIAL:
 - 1.1 HOUSING:THERMOPLASTIC FLAMMABILITY RATING UL94V-0
 - 1.2 CONTACT: COPPERY ALLOY T=0.15mm
 - 1.3 SHELL: STAINLESS STEEL T=0.30mm
2. FINISH:
 - 2.1 CONTACT:
 - 1u" Min. PLATED ON CONTACT AREA
 - G/F PLATING ON SOLDER TAIL AREA
 - 50~80u" NICKEL UNDERPLATING OVER ALL
 - 2.2 SHELL:
 - 80~120u" MATTER TIN PLATING ALL
 - 50~80u" NICKEL UNDERPLATING OVER ALL



RECOMMENDED PCB LAYOUT(TOP VIEW)
GENERAL TOLERANCES: ±0.05



TOLERANCE		NAME(INTENDED USE)	深圳市鑫南天科技有限公司		
X. ±0.25	X.* ± 3*	CUSTOMER	Shenzhen XinNanTian Industrial Co.,Ltd		
.X ±0.20	.X* ± 2*	PART NO.	MICRO USB 5P AB type		
.XX ±0.15	.XX* ± 1*	010101010-016	沉板1.45 四面无翻边		
UNITS	mm	APPD: CO.CO	DRAWG NO.		
MATERILA		CHECK: AG	0101-0160		
FINISH		DRAW: JEFF	SCALE	SHEET	REV.
010101010-016	AAOB010-001		1:1	1/1	A