

规格说明:Specifications:

电气特性:Electrical:

1. 额定电流: Current Rating
1.0A/contact terminal
2. 额定电压: Voltage Rating
30V DC
3. 接触阻抗: Contact Resistance
50 milliohms MAX
4. 耐电压: Dielectric Withstanding Voltage:
300 V AC AT Sea Level
5. 绝缘阻抗: Insulation Resistance:
100MEGA ohms MIN

物理性能: Mechanical:

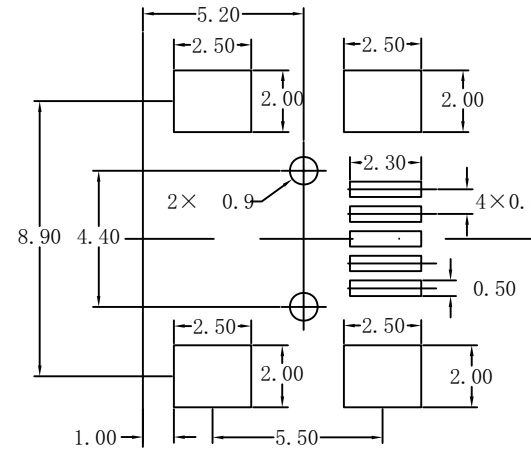
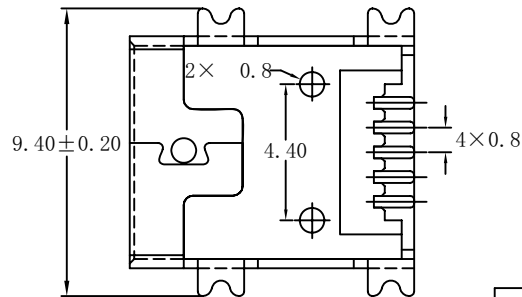
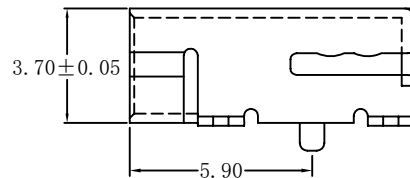
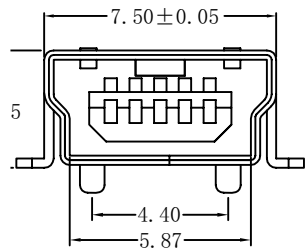
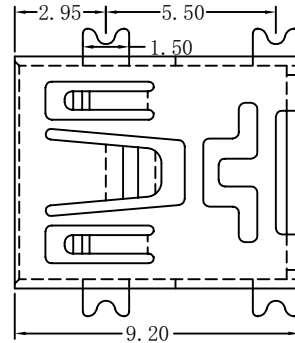
1. 插拔力: Connector Mate and Unmate Force
Mate force: 3.0kgf (MAX)
Unmate force: 0.7kgf (MIN)
2. 端子保持力: Terminal Retention
0.5kgf (MIN)

原材料: Material:

1. 塑胶: Housing:
Hing Temperature Tnermaplastics,
U1 94V-0 LCP Black
2. 端子: Contact: Copper Alloy C2680/C5191
3. 外壳: Shell: Copper Alloy C2680

电镀: Finish:

1. 端子: Contact: Plated Gold in Mating Area;
Tin On Solder Talls
2. 外壳: Shell:
Nickel Plating



RECOMMENDED PCB LAYOUT

深圳市鑫南天科技有限公司		图号 (DWG NO)		单位 (UNIT): M
		版本 (REV)	A/0	比例 (SCALE) 1:
品名 (ITEM NO) MINI USB 5P/F SMT (B型 0.3T, 1.0柱)		日期 (DATE)	2011.06.21	
		设计 (DESIGN)		
料号 (PART NO)		审核 (CHECKED)		X.X ±0.30
模号 (MODEL NO) A003-1B		核准 (APPROVED)		X.XX ±0.20
				X.XXX ±0.10
				X° ±5°
				X.X° ±2°