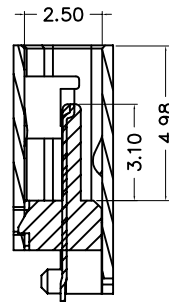
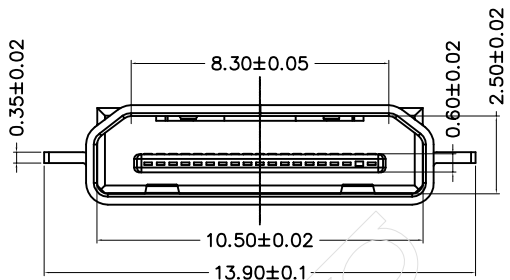
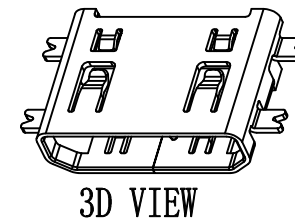


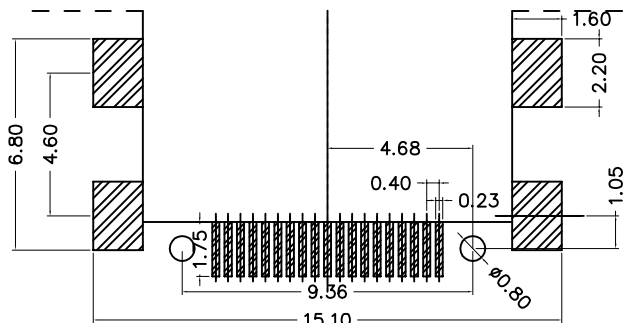
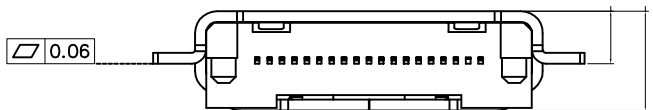
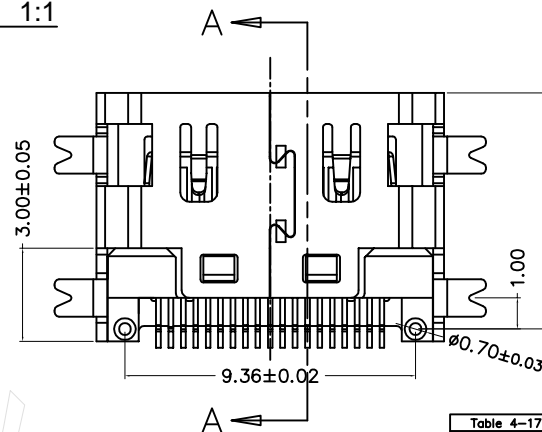
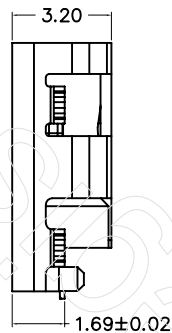
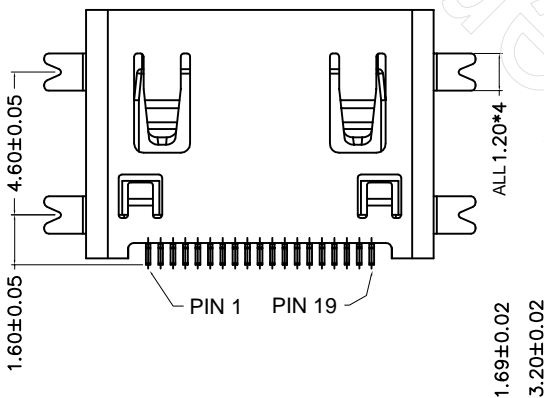
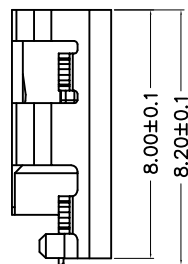
* 所有原料材质, 生产制程, 电镀必须符合ROHS要求



SEC A-A
SCALE 1:1



3D VIEW



Type C pin	Signal Name
1	TMDS Data2_Shield
2	TMDS Data2+
3	TMDS Data2-
4	TMDS Data1_Shield
5	TMDS Data1+
6	TMDS Data1-
7	TMDS Data0_Shield
8	TMDS Data0+
9	TMDS Data0-
10	TMDS Clock_Shield
11	TMDS Clock+
12	TMDS Clock-
13	DDC/CEC Ground
14	CEC
15	SCL
16	SDA
17	Utility
18	+5V Power
19	Hot Plug Detect



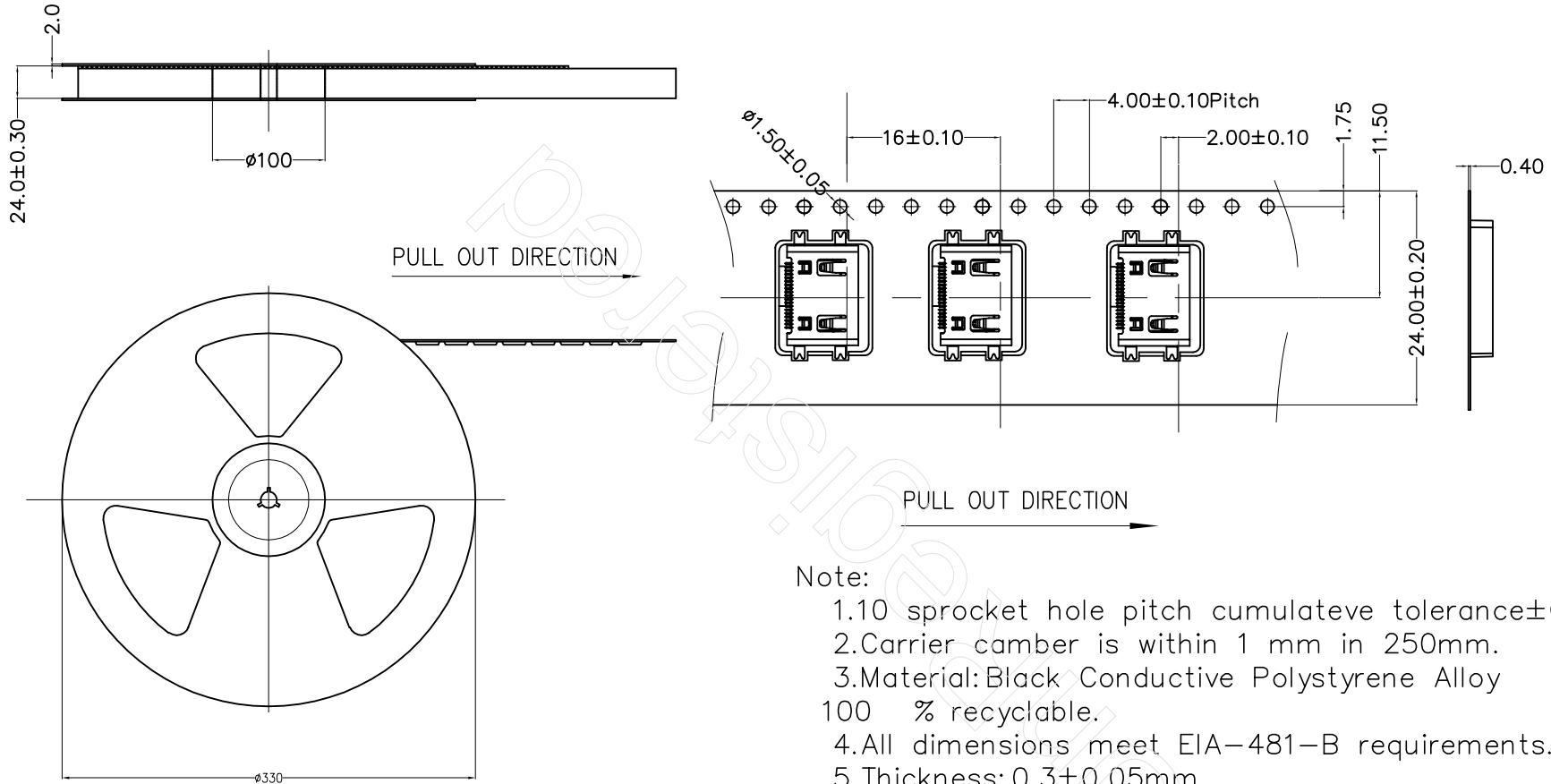
深圳市鑫南天科技有限公司

Shen zhen Shi Xin Nan Tian Industrial Co., Ltd

DIMENSIONS INIT: mm UNLESS OTHERWISE SPECIFIABLE DIMENSION TOLERANCE X.X: ± 0.25 X.XX: ± 0.10 X.XXX: ± 0.05 ANGULAR: ± 1°	PRODUCT NAME : MINI-HDMI 19Pin C TYPE沉板 (鑫南天版本1)	DRAWING: COCO	DATE: 2009/12/10
	DRAWING NO. : XNT-009	CHECK: JANY	DATE: 2009/12/10
SCALE: 1:1	DWG ID: P D	REV.: A	PAGE: 1 of 1

REVISION NO.	ECR NO.	DESCRIPTION	MARK	DATE
1				
2				

* 所有原料材质, 生产制程, 电镀必须符合ROHS要求



Note:

- 1.10 sprocket hole pitch cumulative tolerance ± 0.2
2. Carrier camber is within 1 mm in 250mm.
3. Material: Black Conductive Polystyrene Alloy
100 % recyclable.
4. All dimensions meet EIA-481-B requirements.
5. Thickness: 0.3 ± 0.05 mm.
6. Component load per 13" reel: 800 pcs.
7. A box of 10 volumes, 8000PCS



深圳市鑫南天科技有限公司

Shen zhen Shi Xin Nan Tian Industrial Co., Ltd

DIMENSIONS INIT: mm UNLESS OTHERWISE SPECIFIABLE DIMENSION TOLERANCE X.X: ± 0.25 X.XX: ± 0.10 X.XXX: ± 0.05 ANGULAR: $\pm 1^\circ$	PRODUCT NAME : MINI-HDMI 19Pin SMT C TYPE 沉板包装图RELL	DRAWING: COCO	DATE: 2009/12/10	
	PRODUCT NO. : HDMI-009-002	CHECK: JANY	DATE: 2009/12/10	
	DRAWING NO. : XNT-009	APPROVED: JEFF	DATE: 2009/12/10	
		SCALE: 1:1	DWG ID: P D	REV.: A

REVISION NO.	ECR NO.	DESCRIPTION	MARK	DATE
1				
2				