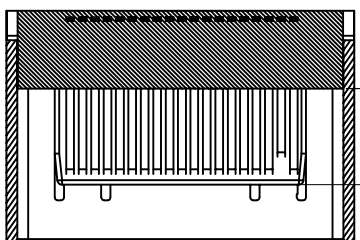
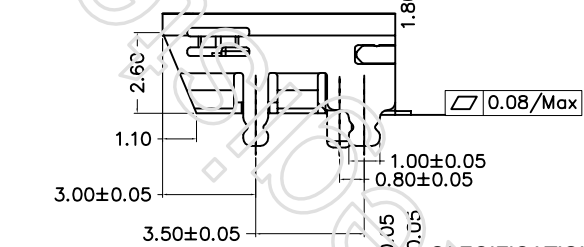
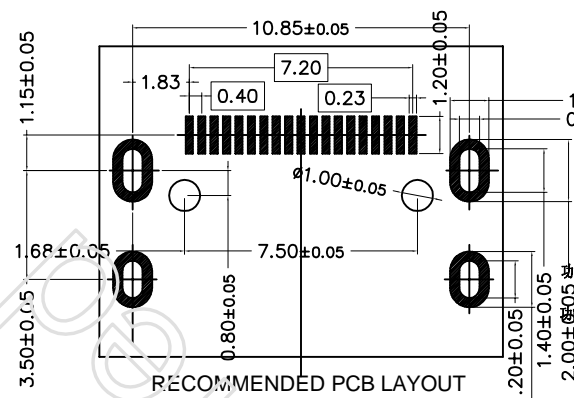
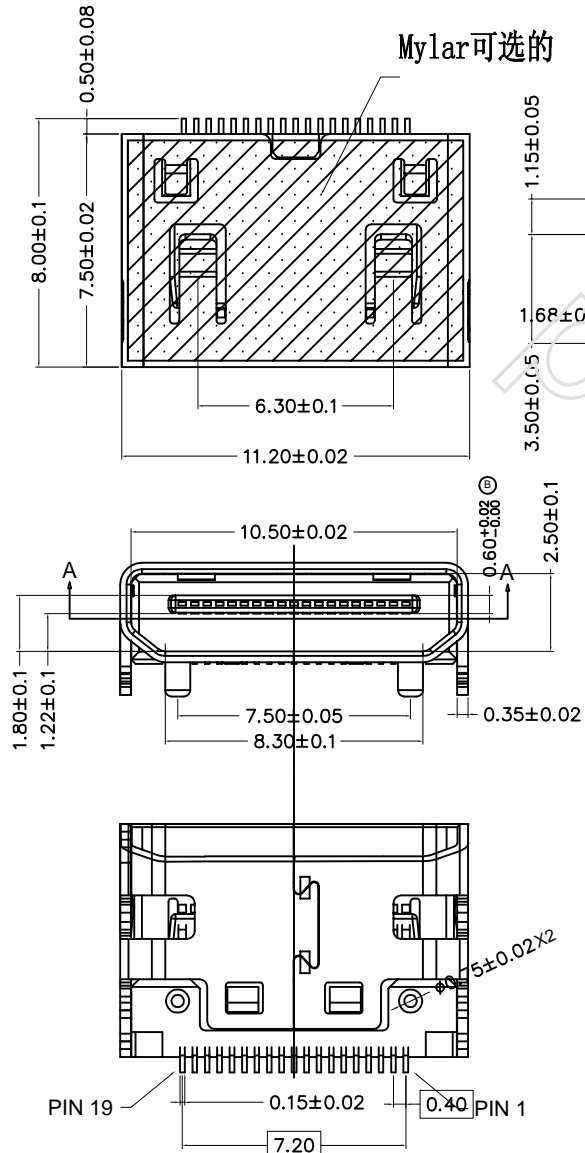


* 所有原料材质, 生产制程, 电镀必须符合ROHS要求



PART NO.

002 1 * A A * 19 *

流水码
A=DIP型外壳
B=SMT型外壳
C=DIP型外壳表面有XNT LOGO
D=DIP型外壳, 表面有Mylar

Q= 外壳全部镀金1u"
R= 外壳100u"可焊性镀Ni

功能区域镀金1u" 焊接脚纯亮锡100u" (符合ROHS制程) A=
功能区域镀金3u" 焊接脚纯亮锡100u" (符合ROHS制程) B=
功能区域镀金1u", 锡脚镀金1u" (符合ROHS制程) G=
功能区域镀金3u", 锡脚镀金1u" (符合ROHS制程) H=
功能区域镀金5u", 锡脚镀金1u" (符合ROHS制程) K=
功能区域镀金15u", 锡脚镀金1u" (符合ROHS制程) L=

SPECIFICATION:

1. MATING FORCE: 44.1N MAX
2. UNMATING FORCE: 7-25N
3. DURABILITY: 5000 CYCLES MIN
4. CURRENT: 0.5A
5. VOLTAGE: 40V MAX
6. WITHSTANDING VOLTAGE: 500V AC MIN. (UNMATED)
7. CONTACT RESISTANCE: 30mΩ MAX.
8. INSULATION RESISTANCE: 100MΩ MIN. (UNMATED)
9. OPERATING TEMPERATURE RANGE: -20.C TO +85.C
10. ALL THE MATERIAL SHOULD COMPLY WITH THE ROHS REQUIREMENT.

Table 4-17 Type C-to-Type C Cable Wire Assignment	
Type C pin	Signal Name
1	TMDS Data2 Shield
2	TMDS Data2+
3	TMDS Data2-
4	TMDS Data1 Shield
5	TMDS Data1+
6	TMDS Data1-
7	TMDS Data0 Shield
8	TMDS Data0+
9	TMDS Data0-
10	TMDS Clock Shield
11	TMDS Clock+
12	TMDS Clock-
13	DDC/CEC Ground
14	CEC
15	SCL
16	SDA
17	Utility
18	+5V Power
19	Hot Plug Detect

深圳市鑫南天科技有限公司

Shen zhen Shi Xin Nan Tian Industrial Co., Ltd

DIMENSIONS INIT: mm UNLESS OTHERWISE SPECIFIABLE DIMENSION TOLERANCE X.X: ± 0.25 X.XX: ± 0.10 X.XXX: ± 0.05 ANGULAR: ± 1°	PRODUCT NAME : MINI-HDMI 19Pin SMT C TYPE	DRAWING: COCO	DATE: 2008/12/10	
	PRODUCT NO. : 0021*AA*19*	CHECK: JANY	DATE: 2008/12/10	
	DRAWING NO. : NT-003	APPROVED: JEFF	DATE: 2008/12/10	
		SCALE: 1:1	DWG ID: P D	REV.: B

PAGE:
1 of 1

REVISION NO.	ECR NO.	DESCRIPTION	MARK	DATE
1				

由 Autodesk 教育版产品制作

由 Autodesk 教育版产品制作