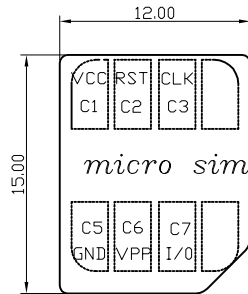
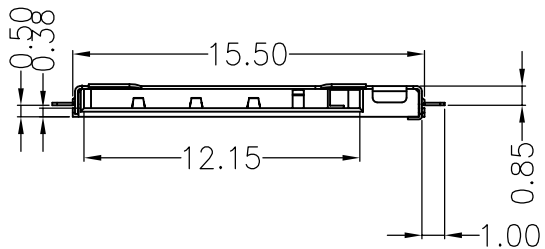
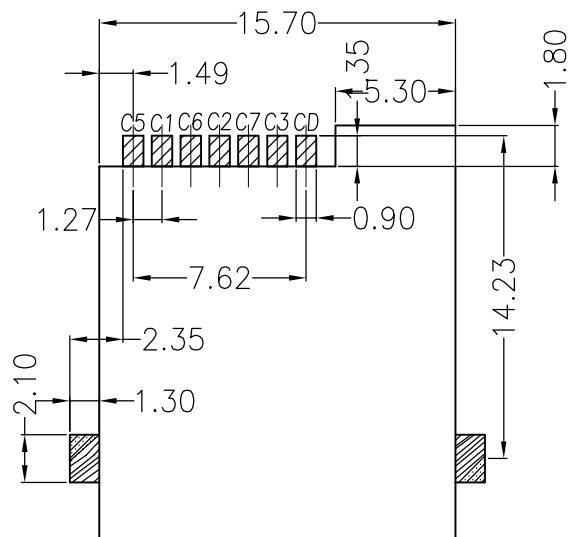
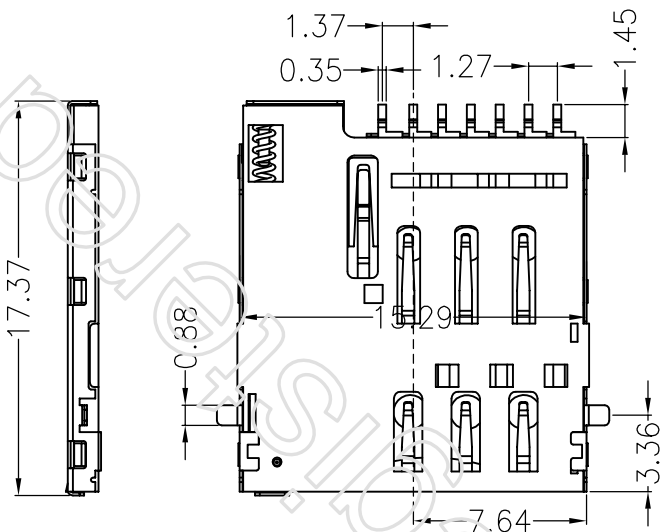
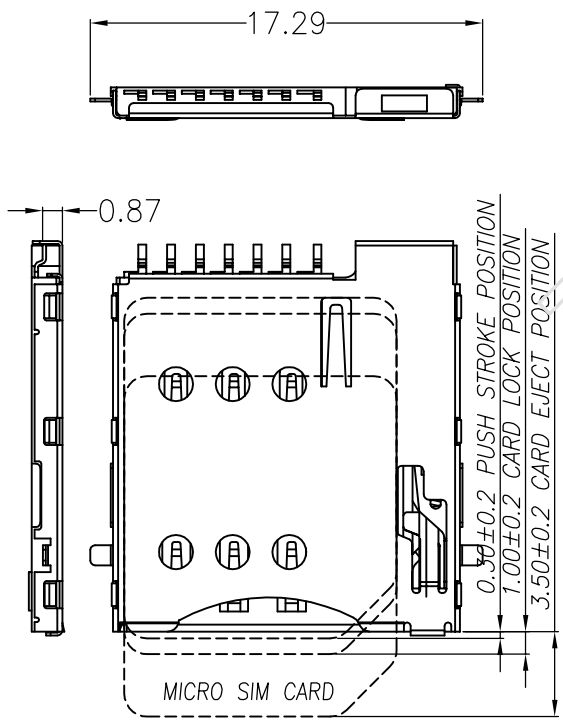
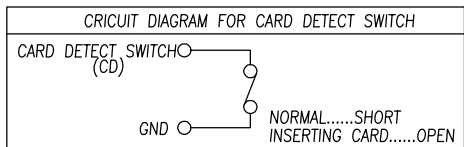


* 所有原材料, 生产制程, 电镀必须符合ROHS要求



MICRO SIM CARD

SIM pin assignment	
PIN#	Name
C1	VCC
C2	RST
C3	CLK
C5	GND
C6	VPP
C7	I/O



深圳市鑫南天科技有限公司
Shen zhen Shi Xin Nan Tian Industrial Co., Ltd

DIMENSIONS UNIT: mm UNLESS OTHERWISE SPECIFIABLE DIMENSION TOLERANCE X.X: ± 0.15 X.XX: ± 0.10 X.XXX: ± 0.05 ANGULAR: ± 1°	PRODUCT NAME : MICRO-SIM 卡座 1.35H 带CD PIN 沉孔0.50 Edition	DRAWING: COCO	DATE: 2014/03/10	
	PRODUCT NO. : 0171AAAA07A	CHECK: JANY	DATE: 2014/03/11	
	DRAWING NO. : XNT-0017	APPROVED: 林心祥	DATE: 2014/03/11	
		SCALE: 1:1	DWG ID: C.D	REV. : A

REVISION NO.	ECR NO.	DESCRIPTION	MARK	DATE
1				
2				