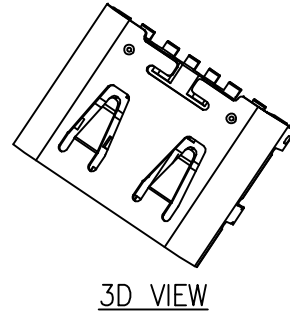
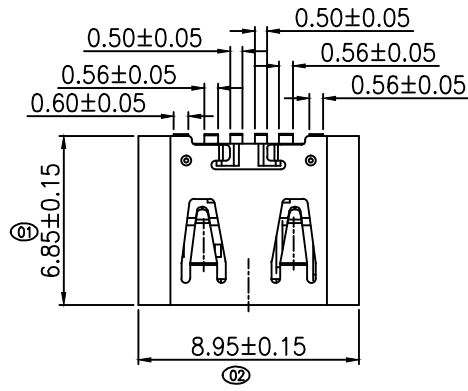


REV.	MODIFICATION	ECN No.	NAME	DATE
A0	新版发行		宋亮红	2017-02-24



B12	GND
B9	VBUS
B5	CC2
A5	CC1
A9	VBUS
A12	GND
PIN	SIGNAL NAME

NOTES:

1.MATERIAL:

MOLDING: LCP UL94 V-0  
 CONTACT: COPPER ALLOY.  
 GOLD PLATED Min ON CONTACT AREA, 100u"  
 Min TIN (LEAD FREE) ON SOLDER AREA,  
 SHELL: SUS304-H, T=0.30±0.03mm  
 50u" NICKEL PLATING OVER ALL.

2.MECHANICAL:

INSERTION: 5~20N.  
 EXTRACTION: 8~20N AFTER TEST.  
 DURABILITY: 10000 CYCLES

3.ELECTRICAL:

CURRENT: 5A FOR VBUS;  
 1.25A FOR GND PIN.  
 0.25A FOR OTHER.

VOLTAGE: 20 V MAX  
 WITHSTANDING VOLTAGE: 100V AC R.M.S.  
 CONTACT RESISTANCE: 40mΩ MAX.  
 INSULATION RESISTANCE: 100MΩ MIN.

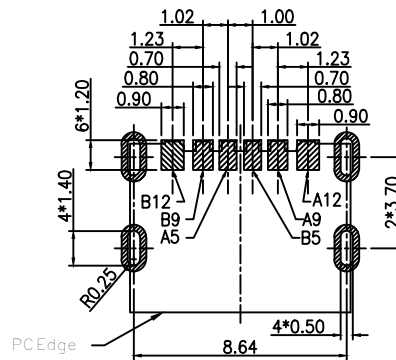
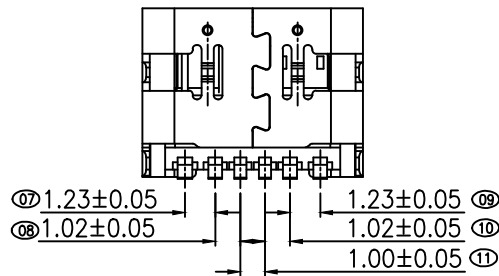
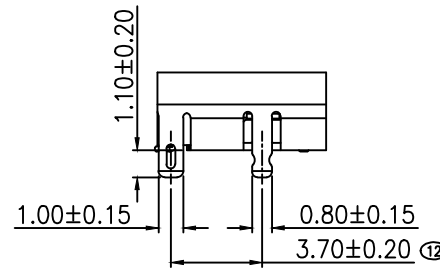
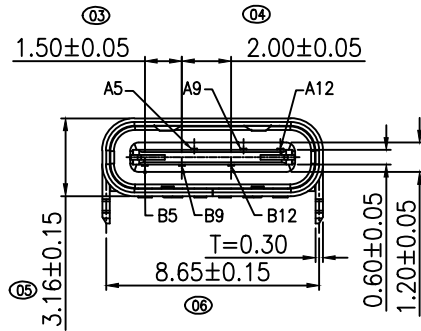
4.ENVIRONMENTAL

TEMPERATURE RANGE -25°C ~ +85°C

5. 尺寸标注事项:

图示有标示ⓧ者为首样全检, 重点管控尺寸.

6. 产品符合RoHS标准.



RECOMMENDED PCB LAYOUT  
 TOLERANCE UNSPECIFIED ±0.05mm

Table:

成品料号	零件名称	零件料号	材料 / 电镀
TX	molding半成品	端子 TX	SUS 304 R-H NO PLATING
	外壳	塑胶材料 TX	SUS 301 R-H Sn 80~200u"
		外壳 TX	SUS 301 R-H 电镀切料带后.

# 深圳市鑫南天科技有限公司

.X: ±0.35	.X': ±1.5'	INTENDED USE:	TITLE:
.XX: ±0.25	.XX': ±1.0'	CONNECTOR	USB TYPE C 6PIN PLUG 简易版
.XXX: ±0.20	.XXX': ±0.5'	APPD.:	PART NO.:
MAT'L:	SEE NOTES	CHKD.:	SEE TABLE
FINISH:		DR.: Len.Song	DWG. NO.:
			T16-000X
			SCALE: 1:1
			PAGE: 1/1
			UNIT: mm
			REV.: A0