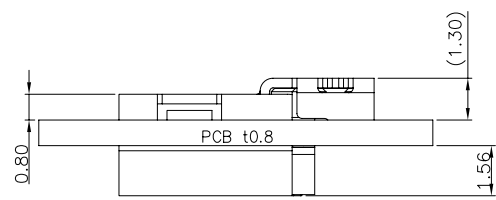
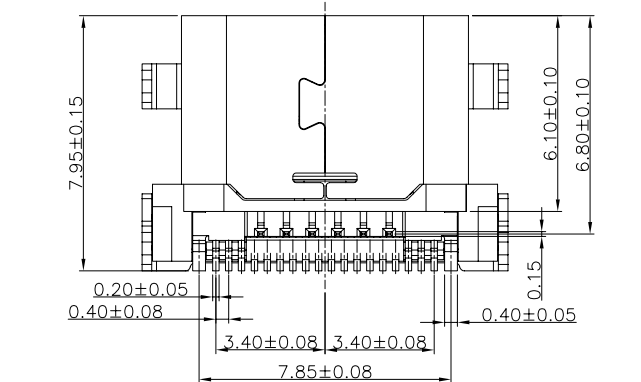
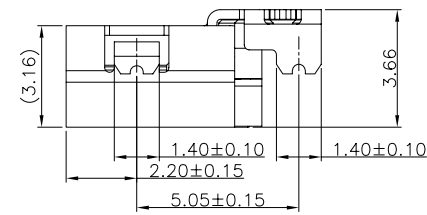
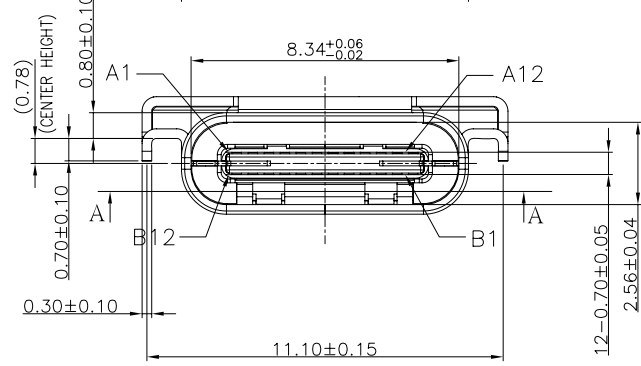
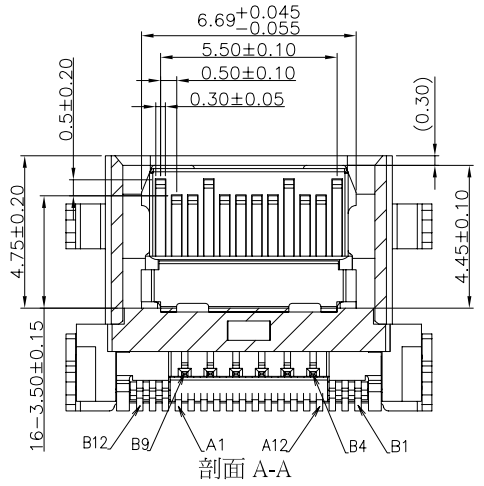
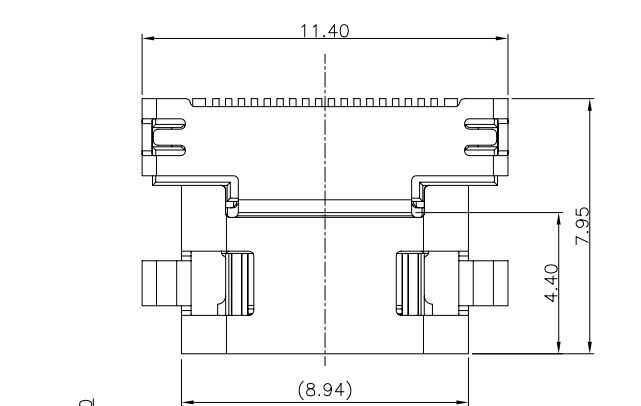
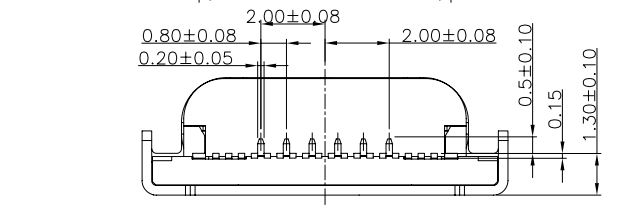


REV.	ECN. NO.	NAME	DATE
XA	NEW	LXH	2015/07/28



MOUNTING CONDITION (REF.)




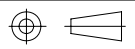
- NOTES:
- MATERIAL:
 - MOLDING: LCP UL94 V-0
 - CONTACT: COPPER ALLOY.
 - GOLD PLATED 30u" Min ON CONTACT AREA, 100u" Min TIN (LEAD FREE) ON SOLDER AREA,
 - SHELL: SUS304-H, T=0.30±0.03mm
 - SHILD: SUS304-H, T=0.12±0.03mm
 - MECHANICAL:
 - INSERTION: 5~20N.
 - EXTRACTION: 8~20N.
 - DURABILITY: 10000 CYCLES
 - ELECTRICAL:
 - CURRENT: 5A MIN FOR VBUS;
 - 0.25A MIN FOR OTHER.
 - VOLTAGE: 5VAC MAX
 - WITHSTANDING VOLTAGE: 100V AC.
 - CONTACT RESISTANCE: 40mΩ MAX.
 - INSULATION RESISTANCE: 100MΩ MIN.
 - ENVIRONMENTAL
 - TEMPERATURE RANGE -55°C ~ +85°C

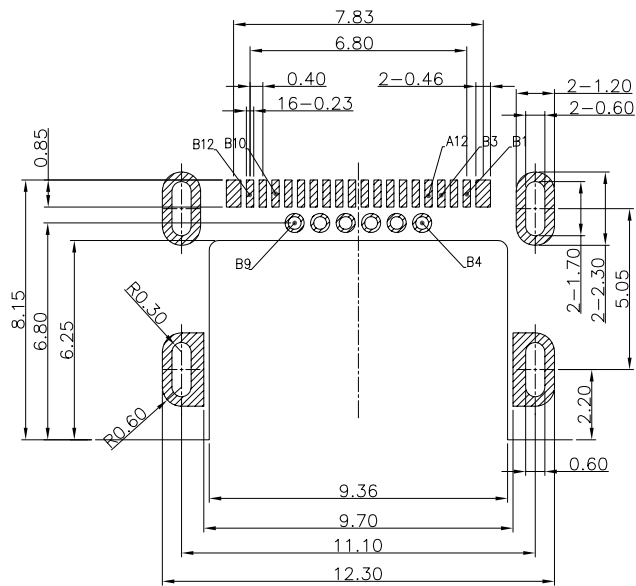
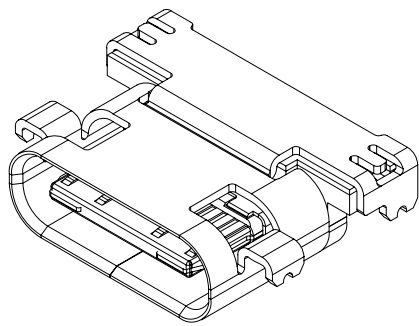
5.P/N: FUC - R - 26 7 X - 01 - B - R

包装: R:TAPE&REEL
 胶芯颜色: B: BLACK

K: GOLD FLASH PLATING ON CONTACT AREA
 Matte Tin PLATING ON SOLDER AREA
 M: 5u" GOLD PLATING ON CONTACT AREA
 Matte Tin PLATING ON SOLDER AREA
 P: 15u" GOLD PLATING ON CONTACT AREA
 Matte Tin PLATING ON SOLDER AREA
 U: 30u" GOLD PLATING ON CONTACT AREA
 Matte Tin PLATING ON SOLDER AREA

RoHS Compliant

TOLERANCE UNSPECIFIED		 深圳市鑫南天科技有限公司	
.	±0.50		
.0	±0.38	DRAWN BY: 刘西鸿 2015.07.28	
.00	±0.25	SIZE: A4	UNIT: mm.
.000	±0.10	PART NO. XNT-FUCR-267X-01BR	
ANGLE	±3.00°	CHECKED BY: 王耀 2015.07.28	
MANUFACTURING COPY		SCALE: 1:1	PROJECTION 
DRAWN BY: 刘西鸿 2015.07.28		REV.: XA	
CHECKED BY: 王耀 2015.07.28		APPROVED BY: 王耀 2015.07.28	
APPROVED BY: 王耀 2015.07.28		SHEET: 1/4	



RECOMMEND P.C.B LAYOUT (COMPONENT SIDE)

TOLERANCE FOR PCB LAYOUT IS ± 0.05

KEEP OUT AREA

USB TYPE-C FULL-FEATURED RECEPTACLE INTERFACE PIN ASSIGNMENTS

PIN	Signal Name	Description	PIN	Signal Name	Description
A1	GND	Ground return	B12	GND	Ground return
A2	SSTXp1	Positive half of first SuperSpeed TX differential pair	B11	SSTXp1	Positive half of first SuperSpeed TX differential pair
A3	SSTXn1	Negative half of first SuperSpeed TX differential pair	B10	SSTXn1	Negative half of first SuperSpeed TX differential pair
A4	VBUS	Bus Power	B9	VBUS	Bus Power
A5	CC1	Configuration Channel	B8	CC1	Configuration Channel
A6	Dp1	Positive half of the USB 2.0 differential pair-Position 1	B7	Dp1	Positive half of the USB 2.0 differential pair-Position 1
A7	Dn1	Negative half of the USB 2.0 differential pair-Position 1	B6	Dn1	Negative half of the USB 2.0 differential pair-Position 1
A8	RFU1	Reserved for Future Use (RFU)	B5	RFU1	Reserved for Future Use (RFU)
A9	VBUS	Bus Power	B4	VBUS	Bus Power
A10	SSRXn2	Negative half of second SuperSpeed RX differential pair	B3	SSRXn2	Negative half of second SuperSpeed RX differential pair
A11	SSRXp2	Positive half of second SuperSpeed RX differential pair	B2	SSRXp2	Positive half of second SuperSpeed RX differential pair
A12	GND	Ground return	B1	GND	Ground return

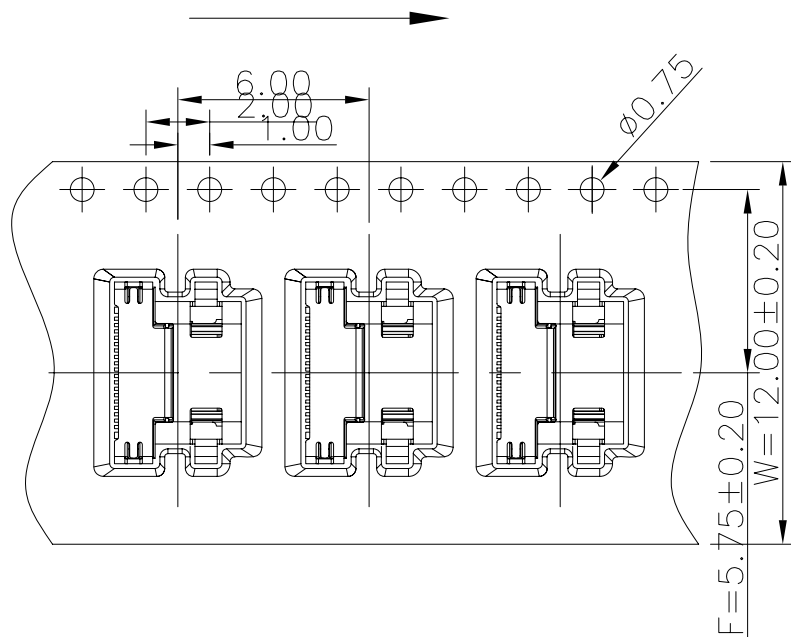
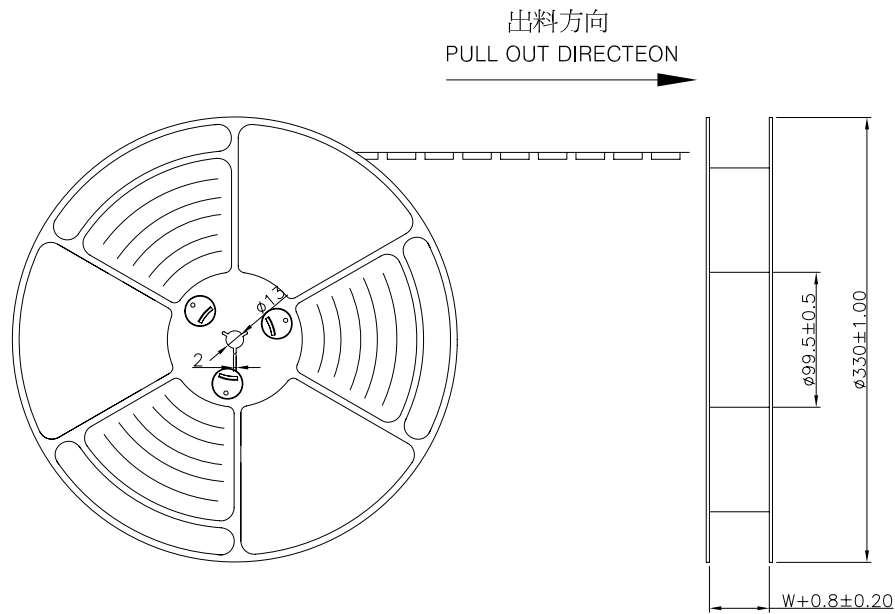
RoHS Compliant



深圳市鑫南天科技有限公司

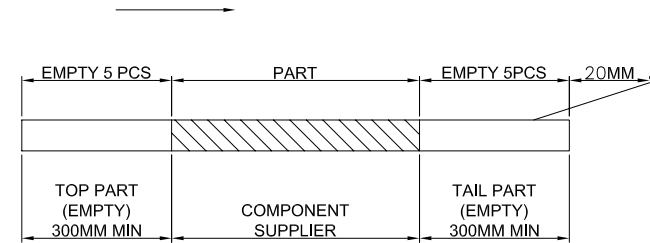
TITLE: USB 3.1 C TYPE FEMALE SINK CONNECTOR

TOLERANCE UNSPECIFIED		. ± 0.50 .0 ± 0.38 .00 ± 0.25 .000 ± 0.10 ANGLE $\pm 3.00^\circ$ MANUFACTURING COPY		SIZE: A4 UNIT: mm. PART NO. XNT-FUCR-267X-01BR	
DRAWN BY:	刘西鸿 2015.07.28	SCALE: 1:1	PROJECTION		REV.: XA
CHECKED BY:	王耀 2015.07.28	DWG. PATH			SHEET: 2/4
APPROVED BY:	王耀 2015.07.28				

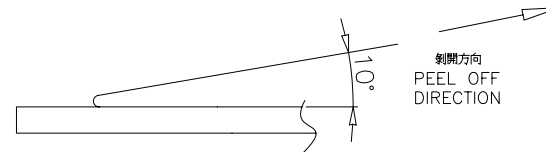


NOTES


1.帶子引導長度
LEAD TAPE LENGTH
出料方向
PULL OUT DIRECTEON

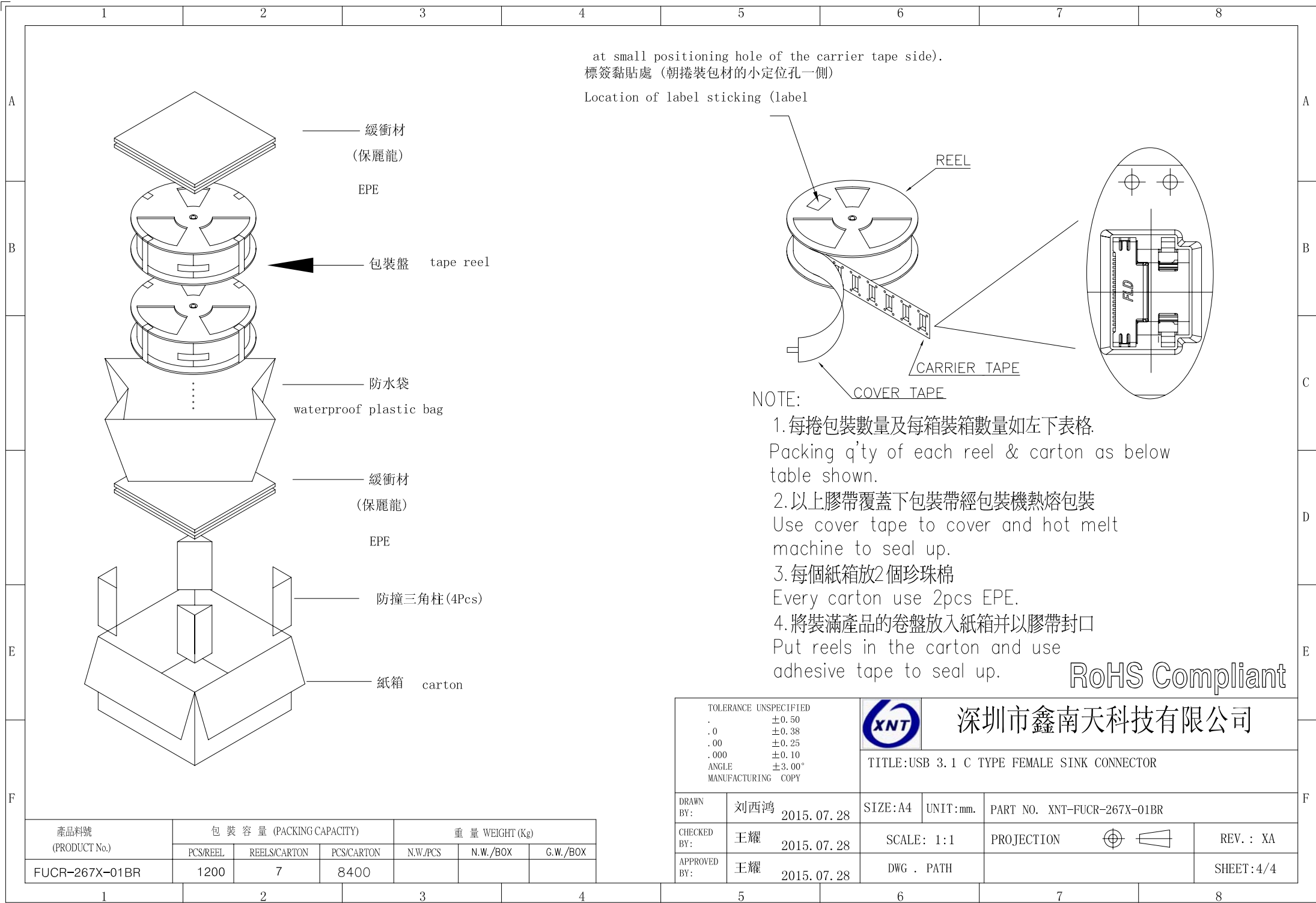


2.上帶 剝力力為：0.1~1.3N(10.2gf~130gf)
PEELING OFF FORCE OF TOP TAPE:0.1~1.3N(10.2gf~130gf)
出貨運輸過程中一定注意：
THIS REQUIREMENT SHOULD BE APPLIED AT SHIPMENT：
卷帶在運輸過程中不能散開
PEELING OFF SHOULD NOT BE ALLOWED DURING TRANSPORTATION



RoHS Compliant

TOLERANCE UNSPECIFIED				深圳市鑫南天科技有限公司	
.	±0.50				
.0	±0.38	DRAWN BY:	刘西鸿 2015.07.28	SIZE:A4	UNIT:mm.
.00	±0.25	CHECKED BY:	王耀 2015.07.28	SCALE: 1:1	PROJECTION
.000	±0.10	APPROVED BY:	王耀 2015.07.28	DWG . PATH	REV.: XA
ANGLE	±3.00°			SHEET:3/4	
MANUFACTURING COPY					
		PART NO. XNT-FUCR-267X-01BR			


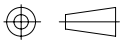


at small positioning hole of the carrier tape side).
 標籤黏貼處 (朝捲裝包材的小定位孔一側)
 Location of label sticking (label)

NOTE:

1. 每捲包裝數量及每箱裝箱數量如左下表格。
Packing q'ty of each reel & carton as below table shown.
2. 以上膠帶覆蓋下包裝帶經包裝機熱熔包裝
Use cover tape to cover and hot melt machine to seal up.
3. 每個紙箱放2個珍珠棉
Every carton use 2pcs EPE.
4. 將裝滿產品的卷盤放入紙箱并以膠帶封口
Put reels in the carton and use adhesive tape to seal up.

RoHS Compliant

TOLERANCE UNSPECIFIED		 深圳市鑫南天科技有限公司		TITLE: USB 3.1 C TYPE FEMALE SINK CONNECTOR				
.	±0.50							
.0	±0.38							
.00	±0.25							
.000	±0.10							
ANGLE ±3.00°		DRAWN BY: 刘西鸿 2015.07.28		SIZE: A4	UNIT: mm.	PART NO. XNT-FUCR-267X-01BR		
MANUFACTURING COPY		CHECKED BY: 王耀 2015.07.28		SCALE: 1:1		PROJECTION		REV.: XA
		APPROVED BY: 王耀 2015.07.28		DWG. PATH				SHEET: 4/4

產品料號 (PRODUCT No.)	包裝容量 (PACKING CAPACITY)			重量 WEIGHT (Kg)		
	PCS/REEL	REELS/CARTON	PCS/CARTON	N.W./PCS	N.W./BOX	G.W./BOX
FUCR-267X-01BR	1200	7	8400			