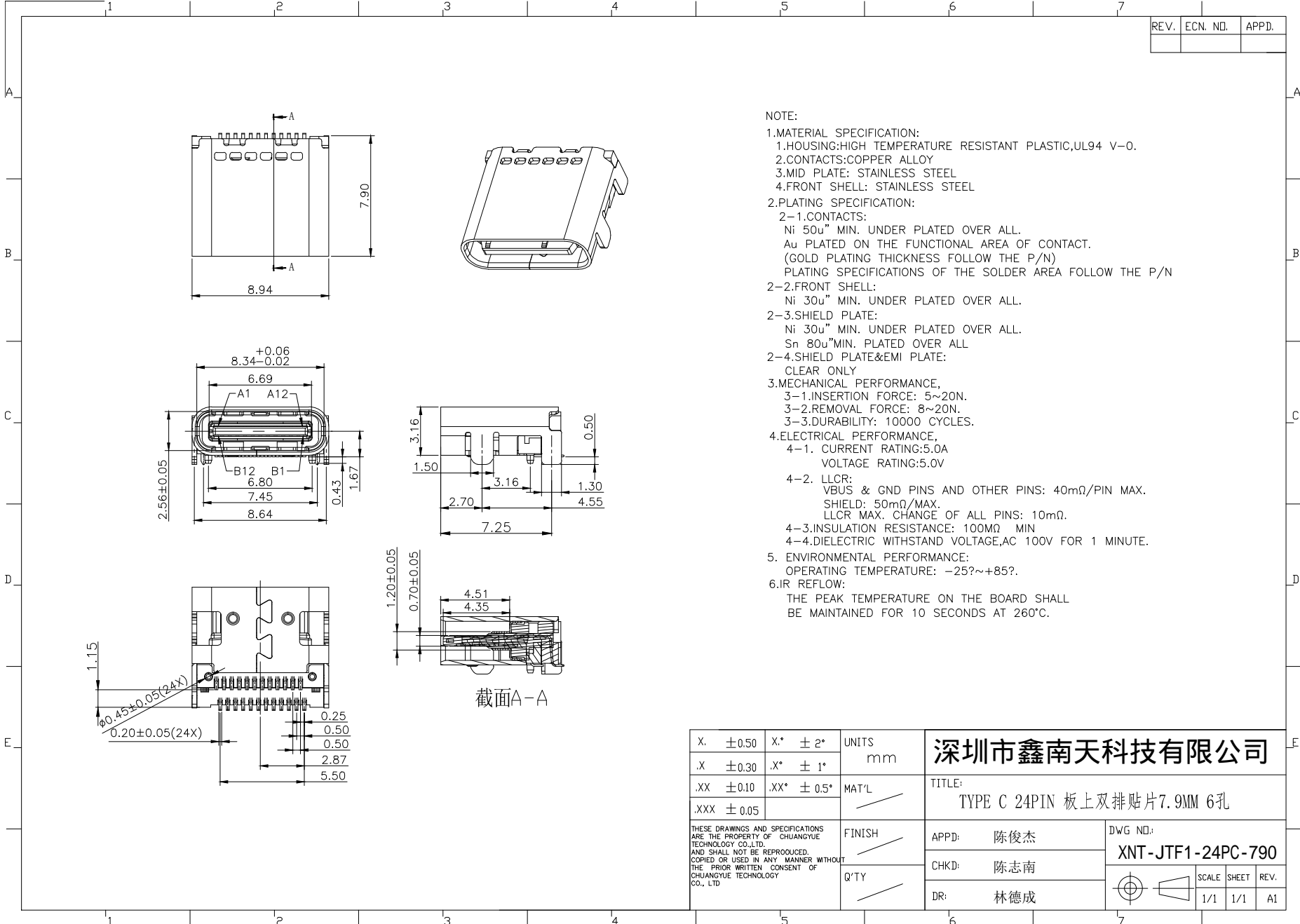


| | | |
|------|----------|-------|
| REV. | ECN. NO. | APPD. |
| | | |

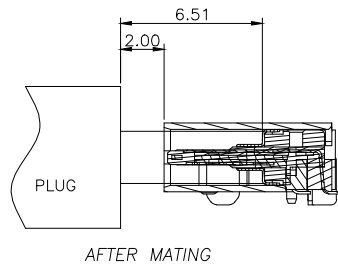


NOTE:

- MATERIAL SPECIFICATION:
 - HOUSING: HIGH TEMPERATURE RESISTANT PLASTIC, UL94 V-0.
 - CONTACTS: COPPER ALLOY
 - MID PLATE: STAINLESS STEEL
 - FRONT SHELL: STAINLESS STEEL
- PLATING SPECIFICATION:
 - CONTACTS:
 - Ni 50u" MIN. UNDER PLATED OVER ALL.
 - Au PLATED ON THE FUNCTIONAL AREA OF CONTACT.
 - (GOLD PLATING THICKNESS FOLLOW THE P/N)
 - PLATING SPECIFICATIONS OF THE SOLDER AREA FOLLOW THE P/N
 - FRONT SHELL:
 - Ni 30u" MIN. UNDER PLATED OVER ALL.
 - SHIELD PLATE:
 - Ni 30u" MIN. UNDER PLATED OVER ALL.
 - Sn 80u" MIN. PLATED OVER ALL
 - SHIELD PLATE & EMI PLATE:
 - CLEAR ONLY
- MECHANICAL PERFORMANCE,
 - INSERTION FORCE: 5~20N.
 - REMOVAL FORCE: 8~20N.
 - DURABILITY: 10000 CYCLES.
- ELECTRICAL PERFORMANCE,
 - CURRENT RATING: 5.0A
VOLTAGE RATING: 5.0V
 - LLCR:
 - VBUS & GND PINS AND OTHER PINS: 40mΩ/PIN MAX.
 - SHIELD: 50mΩ/MAX.
 - LLCR MAX. CHANGE OF ALL PINS: 10mΩ.
 - INSULATION RESISTANCE: 100MΩ MIN
 - DIELECTRIC WITHSTAND VOLTAGE, AC 100V FOR 1 MINUTE.
- ENVIRONMENTAL PERFORMANCE:
 - OPERATING TEMPERATURE: -25°~+85°.
- IR REFLOW:
 - THE PEAK TEMPERATURE ON THE BOARD SHALL BE MAINTAINED FOR 10 SECONDS AT 260°C.

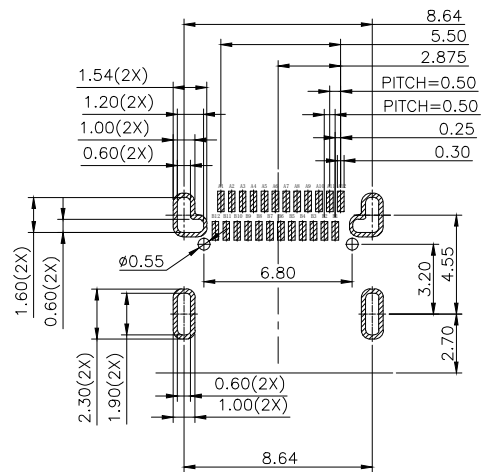
| | | | | | |
|---|--------|------|--------|-------------|---------------------------------------|
| X. | ±0.50 | X* | ± 2° | UNITS mm | 深圳市鑫南天科技有限公司 |
| .X | ±0.30 | .X* | ± 1° | | |
| .XX | ±0.10 | .XX* | ± 0.5° | MAT'L / | TITLE: TYPE C 24PIN 板上双排贴片7.9MM 6孔 |
| .XXX | ± 0.05 | | | | |
| THESE DRAWINGS AND SPECIFICATIONS ARE THE PROPERTY OF CHUANGYUE TECHNOLOGY CO.,LTD. AND SHALL NOT BE REPRODUCED, COPIED OR USED IN ANY MANNER WITHOUT THE PRIOR WRITTEN CONSENT OF CHUANGYUE TECHNOLOGY CO., LTD. | | | | FINISH / | APPD: 陈俊杰 |
| | | | | Q'TY / | CHKD: 陈志南 |
| | | | | | DR: 林德成 |
| | | | | | DWG NO.: XNT-JTF1-24PC-790 |
| | | | | | SCALE SHEET REV. 1/1 1/1 A1 |

| REV. | ECN. NO. | APPD. |
|------|----------|-------|
| | | |



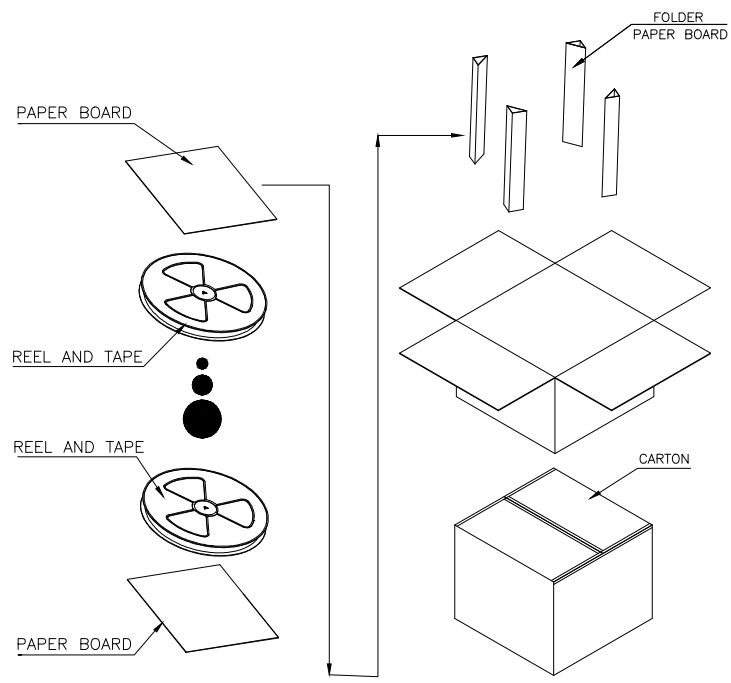
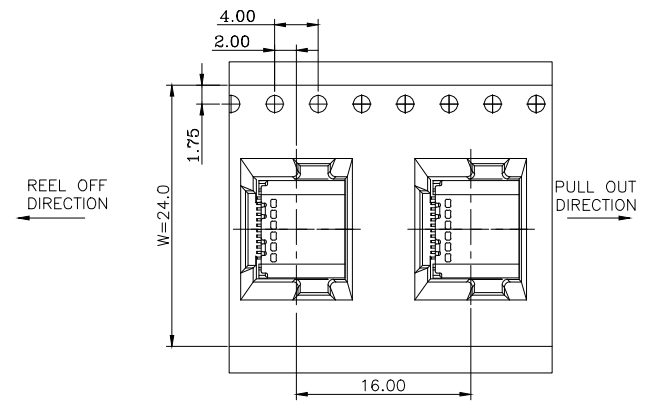
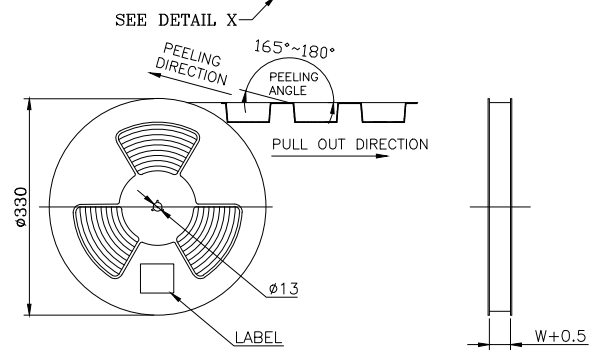
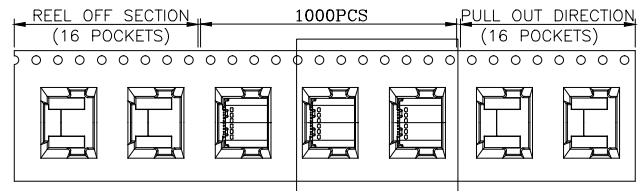
USB TYPE-C PIN ASSIGNMENTS

| PIN NUMBER | SIGNAL NAME | PIN NUMBER | SIGNAL NAME |
|------------|-------------|------------|-------------|
| A1 | GND | B12 | GND |
| A2 | SSTXp1 | B11 | SSRXp1 |
| A3 | SSTXn1 | B10 | SSRXn1 |
| A4 | Vbus | B9 | Vbus |
| A5 | CC1 | B8 | SBU2 |
| A6 | Dp1 | B7 | Dn2 |
| A7 | Dn1 | B6 | Dp2 |
| A8 | SBU1 | B5 | CC2 |
| A9 | Vbus | B4 | Vbus |
| A10 | SSRXn2 | B3 | SSTXn2 |
| A11 | SSRXp2 | B2 | SSTXp2 |
| A12 | GND | B1 | GND |



| | | | | | | | |
|---|-------------|-------|-----------------------------|-----------|------------------|-------|------|
| X. ±0.50 | X.* ± 2° | UNITS | 深圳市创粤科技有限公司 | | | | |
| .X ±0.30 | .X* ± 1° | mm | | | | | |
| .XX ±0.10 | .XX* ± 0.5° | MAT'L | TITLE: | | | | |
| .XXX ± 0.05 | | | TYPE C 24PIN 板上双排贴片7.9MM 6孔 | | | | |
| THESE DRAWINGS AND SPECIFICATIONS ARE THE PROPERTY OF CHUANGYUE TECHNOLOGY CO.,LTD. AND SHALL NOT BE REPRODUCED, COPIED OR USED IN ANY MANNER WITHOUT THE PRIOR WRITTEN CONSENT OF CHUANGYUE TECHNOLOGY CO., LTD. | | | FINISH | APPD: 陈俊杰 | DWG NO.: | | |
| | | | Q'TY | CHKD: 陈志南 | CY-JTF1-24PC-790 | | |
| | | | | DR: 林德成 | SCALE | SHEET | REV. |
| | | | | | 1/1 | 1/1 | A1 |

| REV. | ECN. NO. | APPD. |
|------|----------|-------|
| | | |



| | | |
|-----------------|------|--------|
| | REEL | CARTON |
| CONNECTOR (PCS) | 1000 | 10000 |

| | | | | | |
|------|------------|-------|-------------------|--------|----|
| X. | ± 0.50 | X.* | $\pm 2^{\circ}$ | UNITS | mm |
| .X | ± 0.30 | .X.* | $\pm 1^{\circ}$ | MAT'L | / |
| .XX | ± 0.10 | .XX.* | $\pm 0.5^{\circ}$ | FINISH | / |
| .XXX | ± 0.05 | | | Q'TY | / |

深圳市创粤科技有限公司

TITLE: TYPE C 24PIN 板上双排贴片7.9MM 6孔 包装图

APPD: 陈俊杰

CHKD: 陈志南

DR: 林德成

DWG NO.: CY-JTF1-24PC-790

| SCALE | SHEET | REV. |
|-------|-------|------|
| 1/1 | 1/1 | A1 |

THESE DRAWINGS AND SPECIFICATIONS ARE THE PROPERTY OF CHUANGYUE TECHNOLOGY CO.,LTD. AND SHALL NOT BE REPRODUCED, COPIED OR USED IN ANY MANNER WITHOUT THE PRIOR WRITTEN CONSENT OF CHUANGYUE TECHNOLOGY CO., LTD.