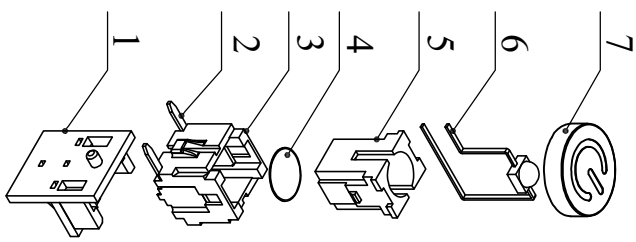
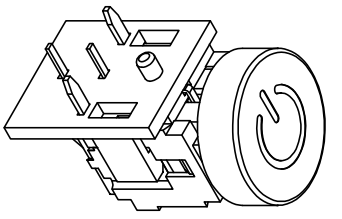
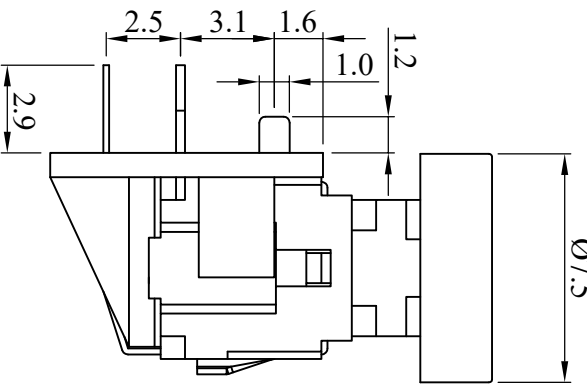
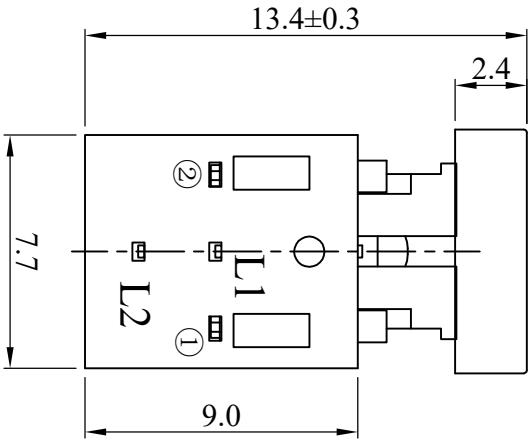


1. LED分红光和蓝光
2. 帽子尺寸：7.5/8.0/8.2.....



* 所有原材料，生产制程，电镀必须符合ROHS要求

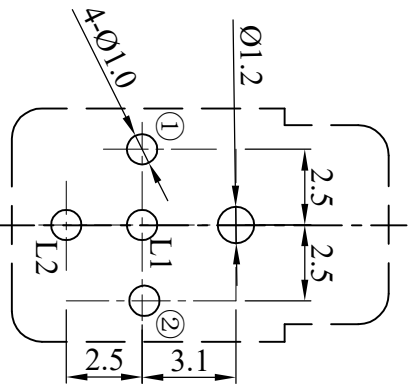
- NOTES:
- 1.RATING: 12VDC 50mA
(额定电压电流: 12VDC 50mA)
 - 2.CONTACT RESISTANCE: 100mΩ Max
(接触电阻: 不超过100毫欧)
 - 3.INSULATION RESISTANCE: 100MΩ 250VDC FOR 1MIN
(绝缘电阻: 最小100MΩ 250VDC 1分钟)
 - 4.DIELECTRIC STRENGTH: 250VAC(50/60Hz) FOR 1MIN
(耐电压: 最小250VAC 1分钟)
 - 5.LIFE TEST: 100,000 CYCLES
(寿命测试: 10万次)
 - 6.OPERATION FORCE: 160/250±50g
(力度: 160/250±50g)
 - 7.TRAVEL: 0.25±0.1mm
(行程: 0.25±0.1mm)
 8. 出货主开关与帽子分开，需客户焊接后自行扣上。

XNT-DD134-X-XX

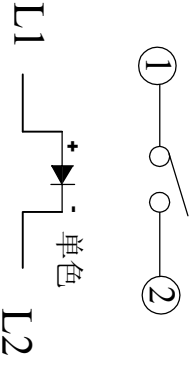
LED颜色
R-红光
B-蓝光
帽子尺寸
Ø7.5-7.6(常规规格)
Ø8.0-8.0
Ø8.2-8.2

7	COVER	ABS (BLACK & SILVER)
6	LED	InGan Water clear
5	CONTACT	PA66 WHITE
4	BUTTON	SUS
3	HOUSING	PA66 BLACK
2	TERMINAL	Bronze Silver Plated
1	FIX	PA66 BLACK
ITEM	PART NAME	MATERIAL

P.C.B LAYOUT



CIRCUIT



REVISION NO.	1	ECR NO.		DESCRIPTION		MARK		DATE	
	2								
	3								



深圳市鑫南天科技有限公司

Shen zhen Shi Xin Nan Tian Industrial Co., Ltd

DIMENSIONS INT:	mm	DRAWING:	COCO	DATE:	2012/05/10
UNLESS OTHERWISE SPECIFIABLE		PRODUCT NAME:	7.7*13.4L 带灯260g侧插 按钮		
DIMENSION	TOLERANCE	PRODUCT NO.:	XNT-DD134-X-XXX	CHECK:	JANY
X.X: ±	0.30	DRAWING NO.:		DATE:	2012/05/10
X.XX: ±	0.25	APPROVED:	JEFF	DWG ID:	
X.XXX: ±	0.05	SCALE:	1:1	REV.:	A
ANGULAR: ±	1°			PAGE:	1 of 1